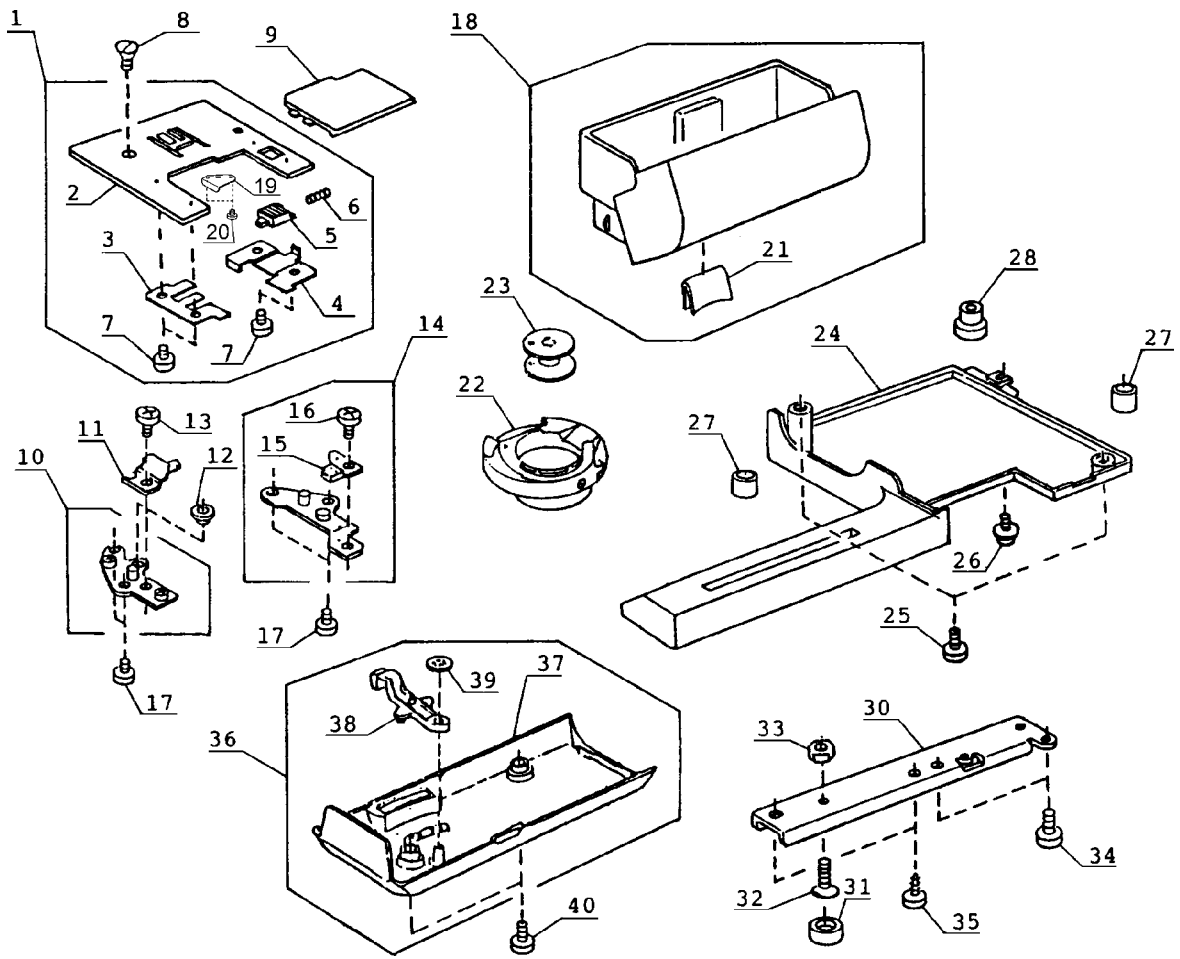


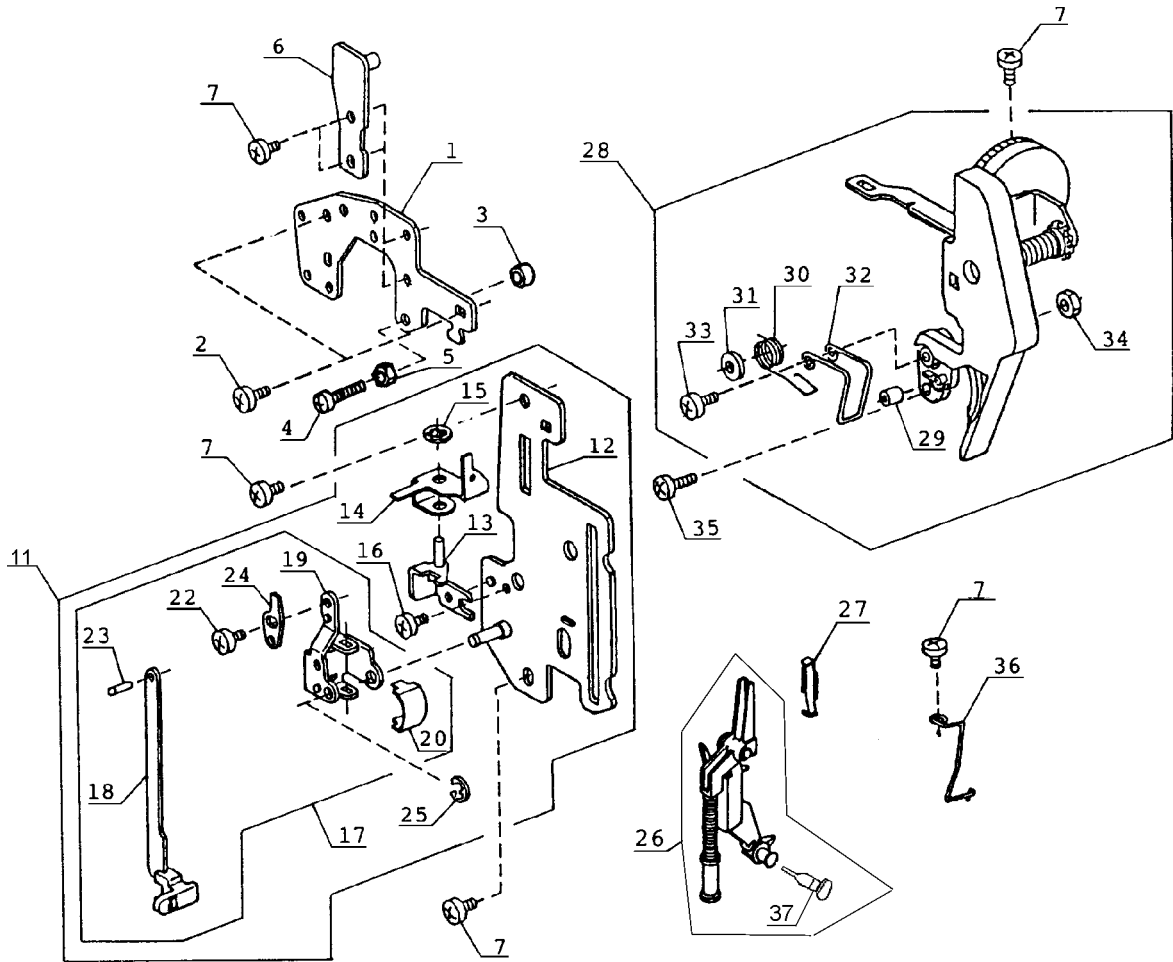
PARTS LIST

MODEL 18W
Limited Edition

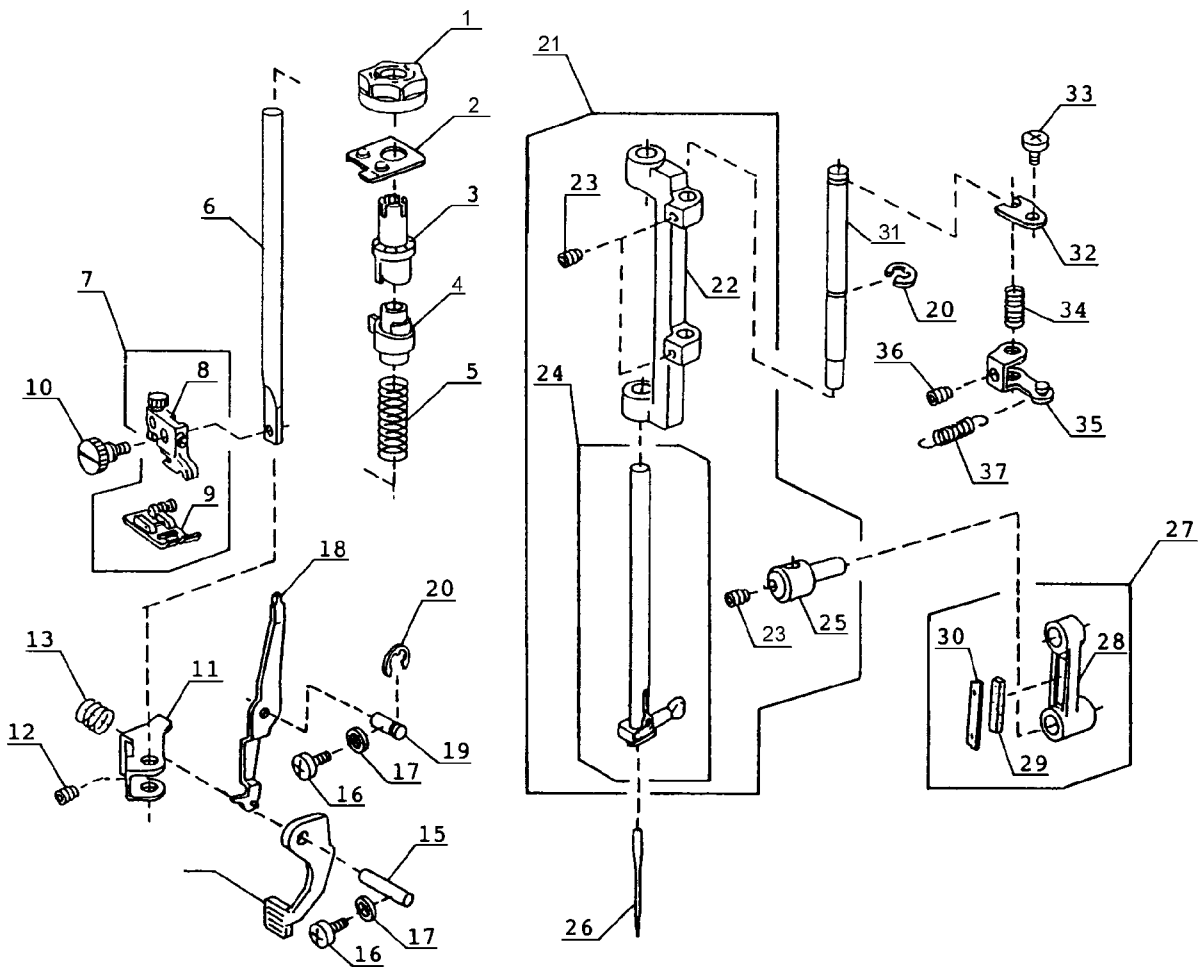


| No. | Part No. | Name |
|-----|-----------|---------------------------------------|
| 1 | 754636102 | Needle plate (unit) |
| 2 | 754052108 | Needle plate |
| 3 | 825014008 | Slide plate holder (left) |
| 4 | 825015010 | Slide plate holder (right) |
| 5 | 825016000 | Slide plate release button |
| 6 | 825017001 | Slide plate release button spring |
| 7 | 820374004 | Set screw |
| 8 | 820390109 | Set screw |
| 9 | 750036012 | Hook cover |
| 10 | 650602001 | Needle plate supporter (left) (unit) |
| 11 | 822011109 | Pawl plate |
| 12 | 822314002 | Nut |
| 13 | 000103808 | Set screw |
| 14 | 650603002 | Needle plate supporter (right) (unit) |
| 15 | 627567001 | Bobbin holder stopper (unit) |
| 16 | 810220003 | Set screw |
| 17 | 000107503 | Set screw |
| 18 | 753526002 | Extension table (unit) |
| 19 | 654078004 | Bobbin holder supporter |
| 20 | 820373003 | Set screw |
| 21 | 686010007 | Extension table spring |
| 22 | 627569106 | Bobbin holder (unit) |
| 23 | 102261103 | Bobbin |
| 24 | 753003019 | Base |
| 25 | 000081005 | Set screw |
| 26 | 000115205 | Set screw |
| 27 | 647009002 | Bed rubber seat |
| 28 | 735003002 | Rubber foot |
| 30 | 753002007 | Arm sole |
| 31 | 735002001 | Rubber seat |
| 32 | 000097303 | Set screw |
| 33 | 000061319 | Nut |
| 34 | 000066808 | Set screw |
| 35 | 000075604 | Set screw |
| 36 | 753601002 | Bed cover (unit) |
| 37 | 652005107 | Bed cover |
| 38 | 753005000 | Drop lever |
| 39 | 000013903 | Snap ring |
| 40 | 000101703 | Set screw |

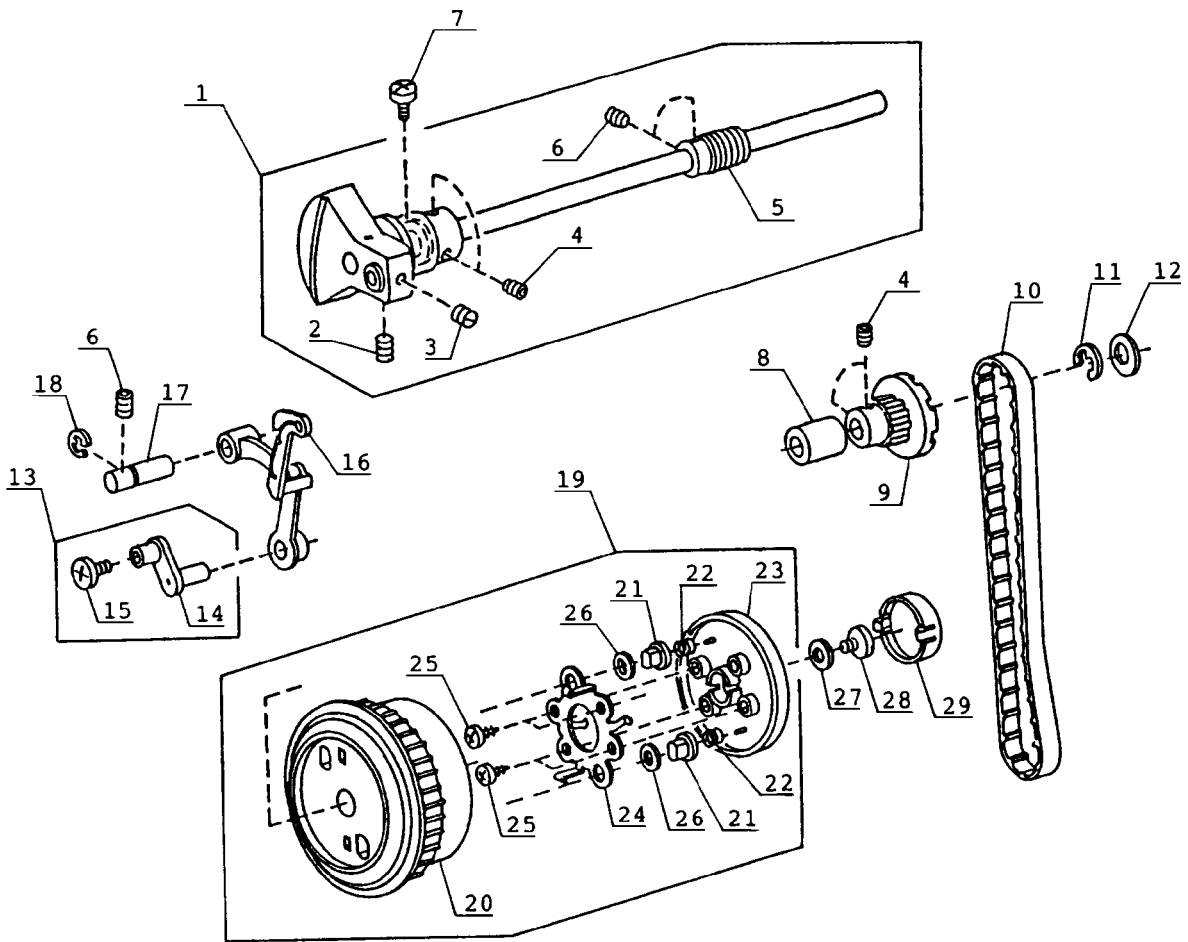
| No. | Part No. | Name |
|-----|-----------|--------------------------------------|
| 1 | 753606052 | Face plate (unit) |
| 2 | 753017038 | Face plate |
| 3 | 650025004 | Face plate spring |
| 4 | 000076502 | Set screw |
| 5 | 840602006 | Thread cutter (unit) |
| 6 | 366501102 | Face plate hinge (unit) |
| 7 | 724024005 | Reflecting plate (1) |
| 8 | 724025006 | Reflecting plate (2) |
| 9 | 000081119 | Set screw |
| 10 | 753604887 | Top cover complete (unit) |
| 11 | 753605981 | Top cover (unit) |
| 12 | 753012000 | Top cover |
| 13 | 753013104 | Flip-top sewing instruction panel |
| 14 | 753154004 | BH sticker |
| 15 | 753014002 | Hinge rod (right) |
| 16 | 753129001 | Hinge rod (left) |
| 17 | 000120203 | Set screw |
| 18 | 753015003 | Top cover body |
| 19 | 822016609 | Spool pin |
| 20 | 822017002 | Pin |
| 21 | 822018003 | Spring |
| 22 | 000107318 | Set screw |
| 23 | 730501011 | Bobbin winder thread guide (unit) |
| 24 | 822021009 | Thread guide holder |
| 25 | 000149002 | Set screw |
| 26 | 753502002 | Top cover thread guide holder (unit) |
| 27 | 693093006 | Set screw |
| 28 | 000062701 | Nut |
| 29 | 687022005 | Bobbin winder stopper |
| 30 | 000066727 | Set screw |
| 31 | 630005006 | Nut |
| 40 | 000170507 | Set screw |
| 41 | 000080901 | Set screw |
| 42 | ----- | ----- |
| 43 | 686016302 | Foot container |
| 44 | 000120214 | Set screw |



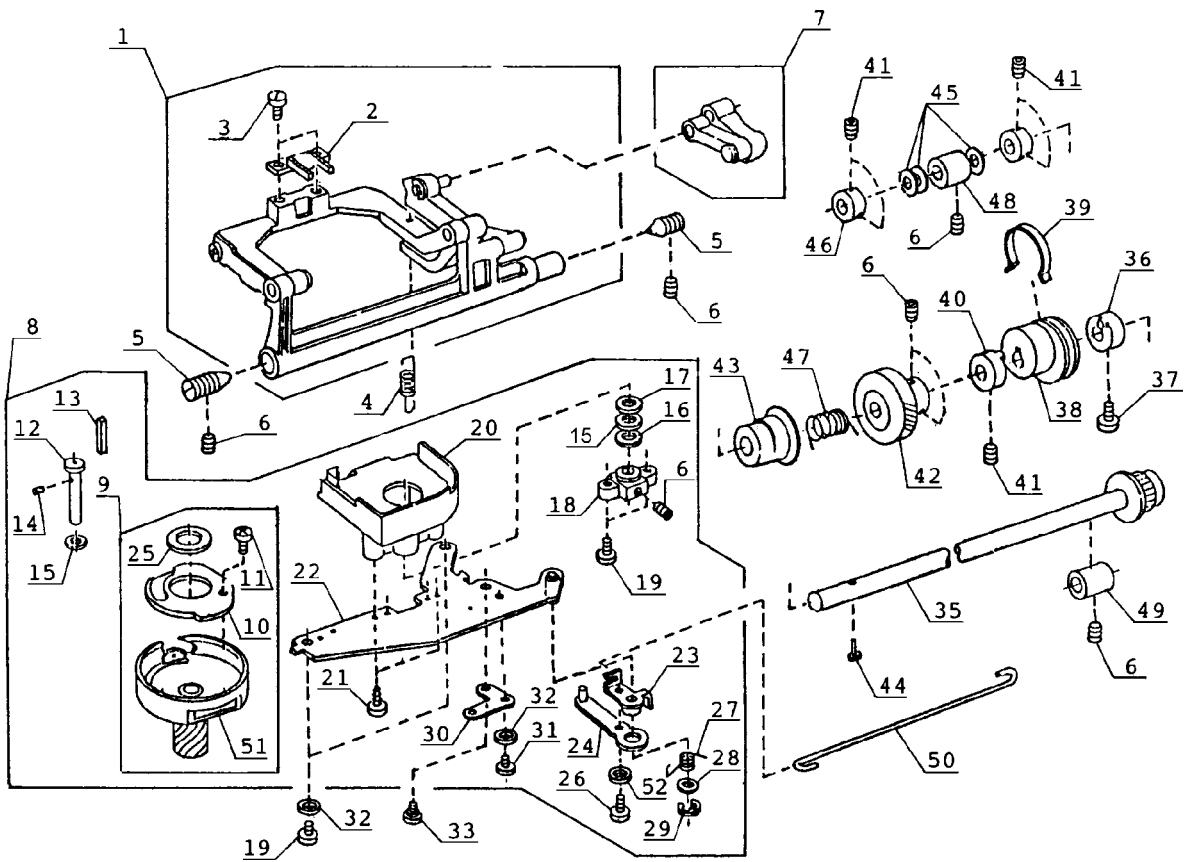
| No. | Part No. | Name |
|-----|-----------|------------------------------|
| 1 | 753019007 | Lamp socket holder plate |
| 2 | 000081005 | Set screw |
| 3 | 685042005 | supporter stopper |
| 4 | 000104809 | Set screw |
| 5 | 000160102 | Adjustable nut |
| 6 | 686059008 | Handle supporter plate |
| 7 | 000101404 | Set screw |
| 11 | 753625013 | Front base plate (unit) |
| 12 | 753022014 | Front base plate |
| 13 | 753023015 | Drag rod link (front) holder |
| 14 | 753210000 | Drag rod link (front) |
| 15 | 000014007 | Snap ring |
| 16 | 000081119 | Set screw |
| 17 | 753626003 | BH lever (unit) |
| 18 | 753629109 | BH lever (unit) |
| 19 | 753247006 | BH lever supporter |
| 20 | 753027008 | Friction spring |
| 22 | 652203004 | set screw |
| 23 | 000023009 | Spring pin |
| 24 | 753029011 | BH lever adjusting plate |
| 25 | 000001207 | Snap ring |
| 26 | 822510000 | Threader (unit) |
| 27 | 625084003 | Spring |
| 28 | 753503003 | Thread tension dial (unit) |
| 29 | 650043008 | Check spring cushion |
| 30 | 652038006 | check spring |
| 31 | 652039007 | Washer |
| 32 | 652037005 | Thread guide |
| 33 | 000104304 | Set screw |
| 34 | 000060857 | Nut |
| 35 | 000101703 | Set screw |
| 36 | 652137006 | Arm thread guide (2) |
| 37 | 627170003 | Threader pin |



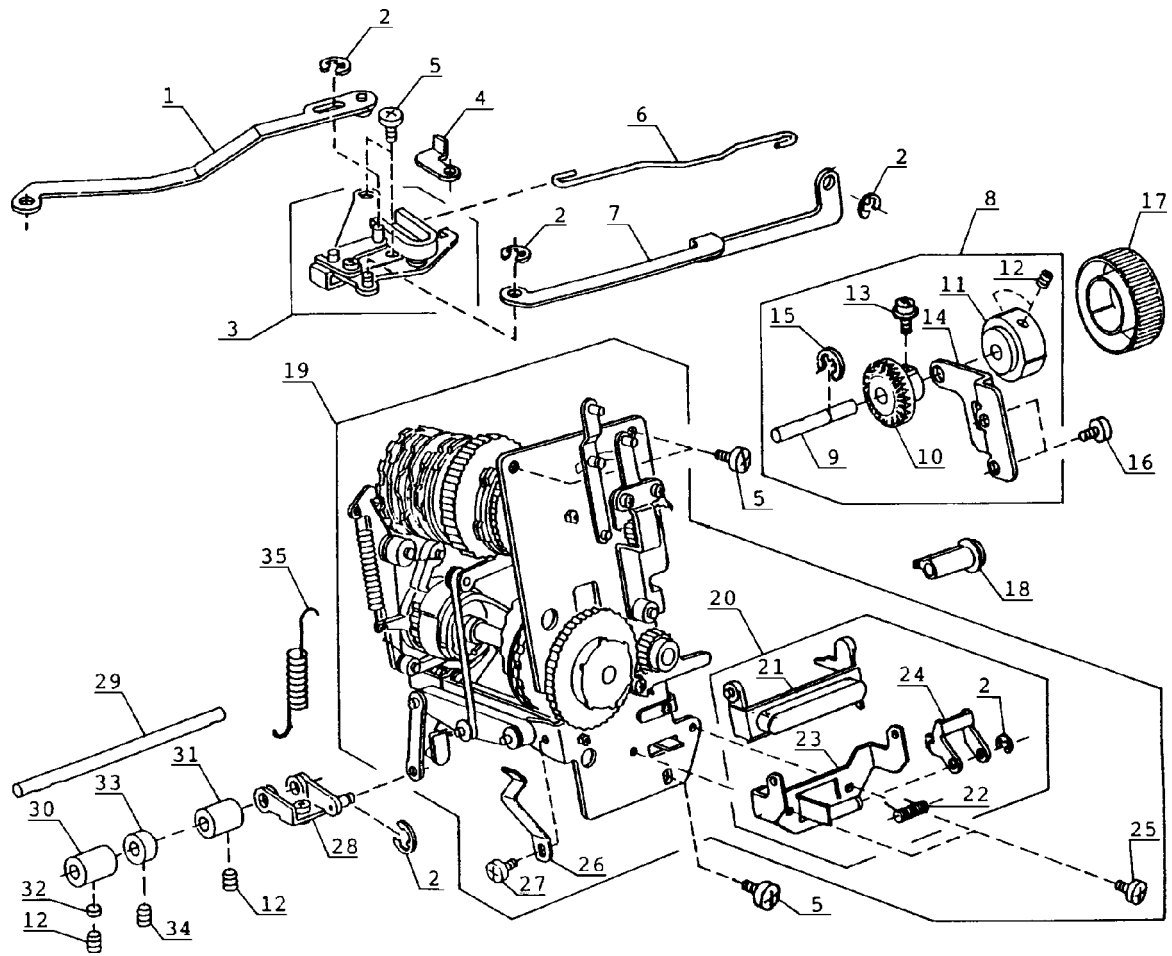
| No. | Part No. | Name |
|-----|-----------|---|
| 1 | 822065201 | Pressure dial |
| 2 | 824009007 | Pressure adjusting cam holder |
| 3 | 686027007 | Pressure adjusting cam (1) |
| 4 | 686028008 | Pressure adjusting cam (2) |
| 5 | 815023009 | Presser bar spring |
| 6 | 102801008 | Presser bar |
| 7 | 825510032 | Presser foot (unit) |
| 8 | 804509000 | Foot holder (unit) |
| 9 | 825509038 | zigzag foot (unit) |
| 10 | 647112009 | Thumb screw |
| 11 | 686074009 | Presser bar bracket |
| 12 | 000111500 | Hexagon socket screw |
| 13 | 102222009 | Darner spring |
| 14 | 652145007 | Presser foot lifter |
| 15 | 822072005 | Presser foot lifter pin |
| 16 | 000103509 | Set screw |
| 17 | 000070506 | Washer |
| 18 | 652146008 | Thread tension release lever |
| 19 | 652042003 | Thread tension release lever pin |
| 20 | 000001609 | Snap ring |
| 21 | 686611004 | Needle bar supporter (unit) |
| 22 | 650038000 | Needle bar supporter |
| 23 | 000111201 | Hexagon socket screw |
| 24 | 822658xxx | Needle bar (unit) |
| 25 | 650100004 | Needle bar connecting stud |
| 26 | 102408089 | Needle, size 14 |
| 27 | 686612005 | Needle bar crank rod (unit) |
| 28 | 625226009 | Needle bar crank rod |
| 29 | 650040005 | Felt |
| 30 | 650041006 | Felt holder spring |
| 31 | 650033005 | Needle bar supporter shaft |
| 32 | 650034006 | Needle bar supporter shaft holder plate |
| 33 | 000101404 | Set screw |
| 34 | 650036008 | Needle bar supporter shaft spring |
| 35 | 650035007 | Zigzag width crank |
| 36 | 000111108 | Hexagon socket screw |
| 37 | 686085003 | Needle bar supporter spring |



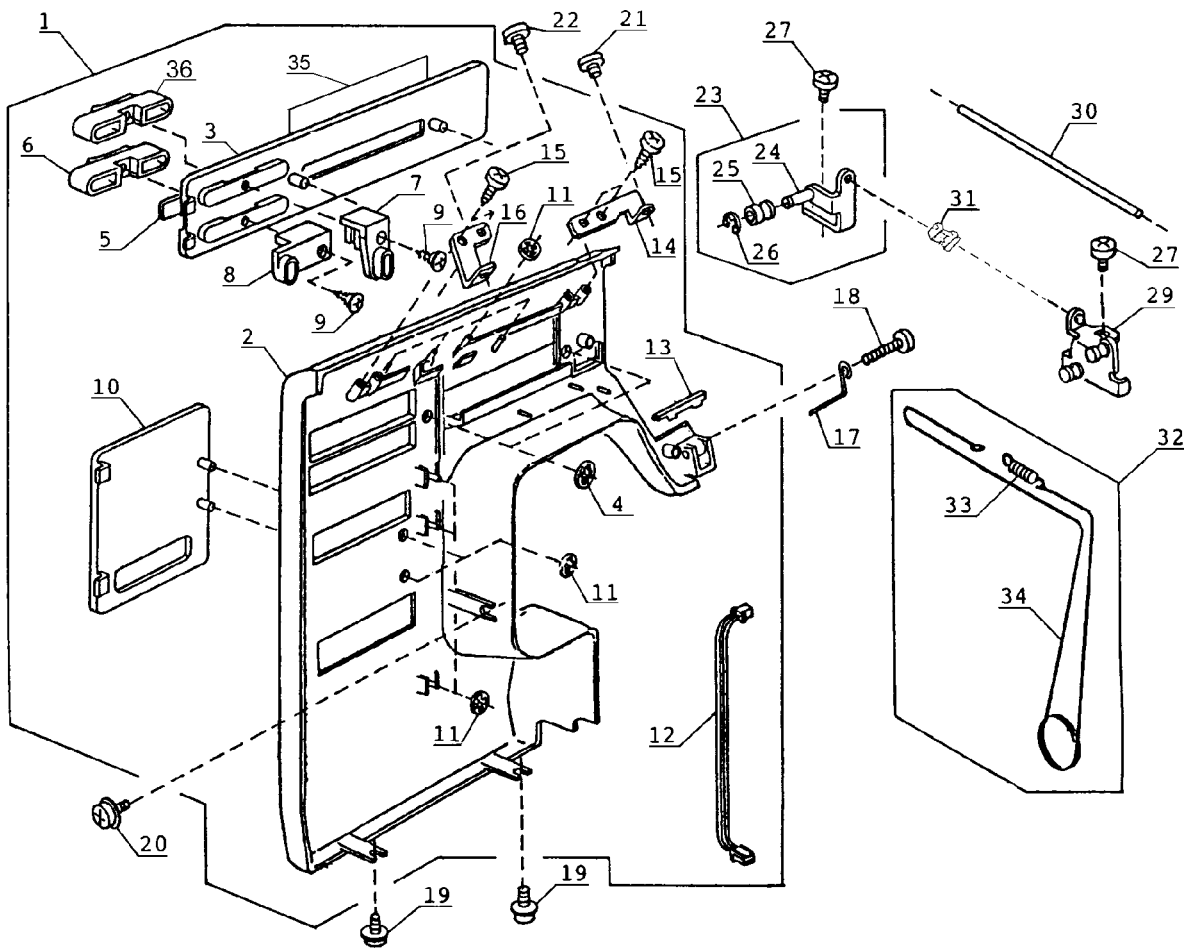
| No. | Part No. | Name |
|-----|-----------|-----------------------------|
| 1 | 686623009 | Upper shaft (unit) |
| 2 | 102073003 | Set screw |
| 3 | 102063000 | Set screw |
| 4 | 000111304 | Hexagon socket screw |
| 5 | 650060001 | Worm gear |
| 6 | 000111201 | Hexagon socket screw |
| 7 | 000101301 | Set screw |
| 8 | 673062004 | Upper shaft bushing (rear) |
| 9 | 650063004 | Upper shaft timing gear |
| 10 | 650071005 | Timing belt |
| 11 | 000030205 | Snap ring |
| 12 | 000036706 | Washer |
| 13 | 652512009 | Needle bar crank pin (unit) |
| 14 | 652143005 | Needle bar crank pin |
| 15 | 647139002 | Needle bar crank pin cap |
| 16 | 820511108 | Thread take-up lever (unit) |
| 17 | 650062003 | Thread take-up lever shaft |
| 18 | 000002806 | Snap ring |
| 19 | 650609503 | Balance wheel (unit) |
| 20 | 650064500 | Balance wheel |
| 21 | 650065006 | clutch pin |
| 22 | 650066007 | clutch pin spring |
| 23 | 650067503 | Clutch knob |
| 24 | 650068009 | Clutch spring |
| 25 | 000107307 | Set screw |
| 26 | 000036201 | Washer |
| 27 | 650174009 | Washer |
| 28 | 810346006 | Cam shaft screw |
| 29 | 650070509 | Clutch cap |



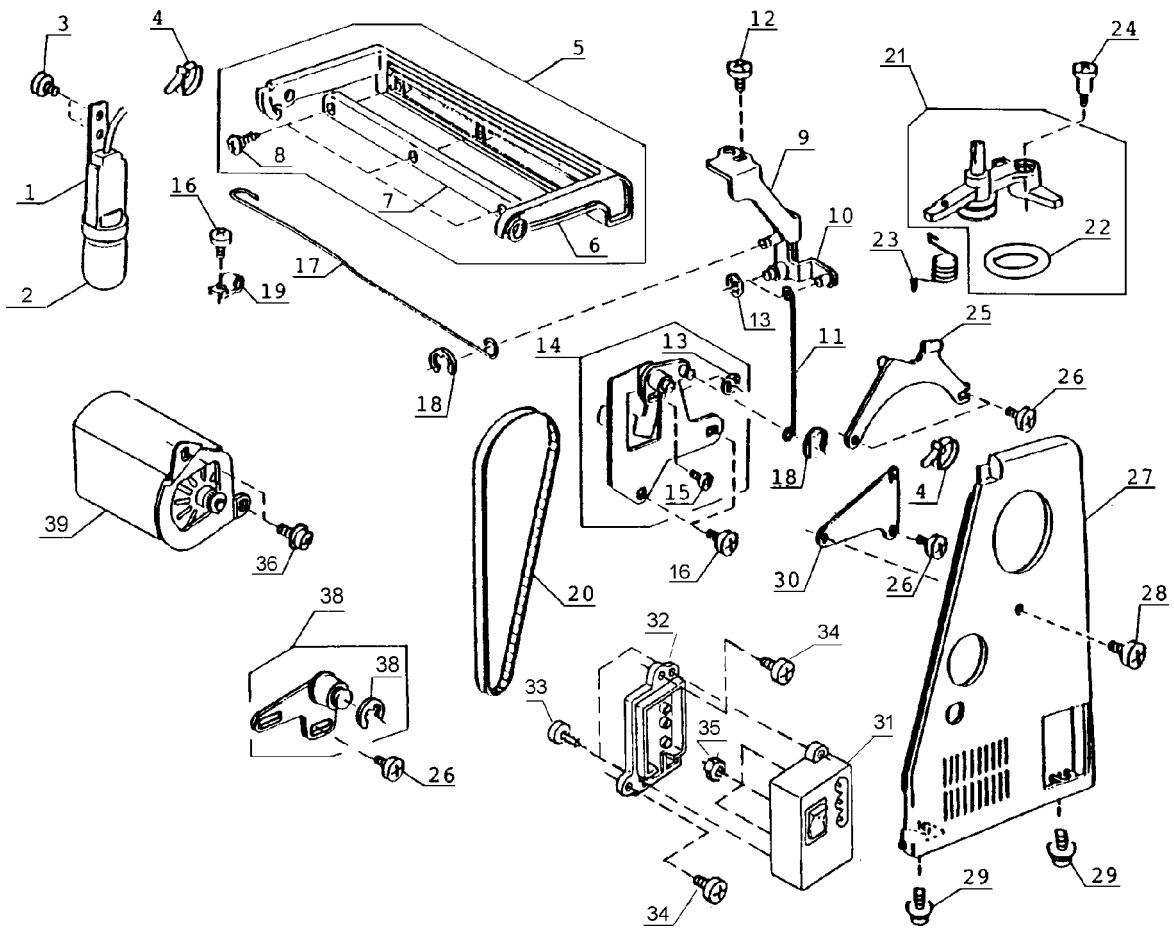
| No. | Part No. | Name |
|-----|-----------|-----------------------------|
| 1 | 751640100 | Feed rock shaft (unit) |
| 2 | 840005003 | Feed dog |
| 3 | 614025002 | Set screw |
| 4 | 650085002 | Feed bar spring |
| 5 | 738055008 | Pin |
| 6 | 000111304 | Hexagon socket screw |
| 7 | 650612004 | Feed regulator (unit) |
| 8 | 650614017 | Hook complete (unit) |
| 9 | 652623004 | Hook (unit) |
| 10 | 627191000 | Hook bottom plate |
| 11 | 820374004 | Set screw |
| 12 | 820123006 | Hook shaft |
| 13 | 820124007 | Hook shaft oil felt (1) |
| 14 | 820125008 | Hook shaft oil felt (2) |
| 15 | 000036500 | Washer |
| 16 | 625102008 | Washer |
| 17 | 627192001 | Hook shaft washer |
| 18 | 650094004 | Hook shaft base |
| 19 | 000081005 | Set screw |
| 20 | 650095005 | Hook race cover |
| 21 | 000107204 | Set screw |
| 22 | 650096006 | Hook holder plate |
| 23 | 650097007 | Feed shift arm |
| 24 | 650098008 | Feed shift plate |
| 25 | 627190010 | Hook magnet |
| 26 | 000103808 | Set screw |
| 27 | 650099009 | Feed shift spring |
| 28 | 650023002 | Plain washer |
| 29 | 000002105 | Snap ring |
| 30 | 650171006 | Positioning plate |
| 31 | 000101404 | Set screw |
| 32 | 000070506 | Wasehr |
| 33 | 650172007 | Hinge screw |
| 35 | 686613006 | Lower shaft (unit) |
| 36 | 650074008 | Forward feed cam ring |
| 37 | 000121606 | Set screw |
| 38 | 625120105 | Feed cam |
| 39 | 627207000 | Feed cam spring |
| 40 | 625118007 | Feed cam ring |
| 41 | 000111201 | Hexagon socket screw |
| 42 | 650076000 | Lower shaft gear |
| 43 | 753183025 | Feed lifting cam |
| 44 | 820161006 | Feed lifting pin |
| 45 | 000036201 | Washer |
| 46 | 820166001 | Ring |
| 47 | 686035008 | Feed lifting cam spring |
| 48 | 650078002 | Lower shaft bushing (front) |
| 49 | 650079003 | Lower shaft bushing (rear) |
| 50 | 650101005 | Feed shift rod |
| 51 | 652515002 | Hook body (unit) |
| 52 | 656159006 | Washer |



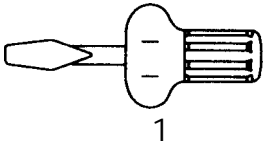
| No. | Part No. | Name |
|-----|-----------|------------------------------------|
| 1 | 650156005 | Zigzag width rod (front) |
| 2 | 000002105 | Snap ring |
| 3 | 686618001 | Zigzag width crank (unit) |
| 4 | 688003003 | Zigzag stopper |
| 5 | 000081005 | Set screw |
| 6 | 688004004 | Zigzag width rod |
| 7 | 753084003 | Zigzag width adjusting rod |
| 8 | 753647000 | Pattern selector dial shaft (unit: |
| 9 | 753203000 | Pattern selector dial shaft |
| 10 | 753082001 | Dial gear |
| 11 | 753202009 | Pattern selector dial seat |
| 12 | 000111201 | Hexagon socket screw |
| 13 | 000115009 | Set screw |
| 14 | 753083002 | Dial supporter |
| 15 | 000001609 | Snap ring |
| 16 | 000101404 | Set screw |
| 17 | 751201008 | Pattern selector dial |
| 18 | 650162509 | SS adjusting knob |
| 19 | 753623000 | Control mechanism block (unit) |
| 20 | 753611005 | R button (unit) |
| 21 | 753047004 | R button |
| 22 | 753147005 | R button spring |
| 23 | 753046003 | R button supporter |
| 24 | 753150001 | R button arm (2) |
| 25 | 000103808 | Set screw |
| 26 | 753061004 | Pattern selector index spring |
| 27 | 000101105 | Set screw |
| 28 | 652607002 | Feed regulating arm (unit) |
| 29 | 650091001 | Feed shaft |
| 30 | 625144002 | Feed shaft bushing (front) |
| 31 | 650092002 | Feed shaft bushing (rear) |
| 32 | 650175000 | Screw stopper plate |
| 33 | 820387000 | Ring |
| 34 | 000111108 | Hexagon socket screw |
| 35 | 753033007 | Regulator spring |



| No. | Part No. | Name |
|-----|-----------|---------------------------------------|
| 1 | 753660009 | Front panel (unit) |
| 2 | 753100062 | Front panel |
| 3 | 753225318 | Frame |
| 4 | 000014007 | Snap ring |
| 5 | 753158009 | Band plate |
| 6 | 753227309 | Slide button (stitch width) |
| 7 | 753104011 | Zigzag width adjusting slider |
| 8 | 753105012 | Stitch length adjusting slider |
| 9 | 000163105 | Set screw |
| 10 | 753156915 | R button frame |
| 11 | 000014306 | Snap ring |
| 12 | 753529005 | Junction cable (unit) |
| 13 | 753125007 | Thread protector |
| 14 | 753108004 | Front panel retaining plate (front) |
| 15 | 000120203 | Set screw |
| 16 | 753109005 | Front panel retaining plate (rear) |
| 17 | 753126008 | Arm thread guide |
| 18 | 000093608 | Set screw |
| 19 | 000115205 | Set screw |
| 20 | 000115607 | Set screw |
| 21 | 000101105 | Set screw |
| 22 | 000081005 | Set screw |
| 23 | 753616103 | Indicator guide holder (front) (unit) |
| 24 | 753209006 | Indicator guide holder (front) |
| 25 | 753208005 | Guide roller |
| 26 | 000001207 | Snap ring |
| 27 | 000101404 | Set screw |
| 29 | 753111000 | Indicator guide holder (rear) |
| 30 | 753112104 | Indicator guide |
| 31 | 753512005 | Flexible circuit board (unit) |
| 32 | 753618002 | Indicator string (unit) |
| 33 | 818033001 | Spring |
| 34 | 753113002 | Indicator string |
| 35 | 753226308 | Ornamental plate |
| 36 | 753227402 | Slide button (stitch length) |



| No. | Part No. | Name |
|-----|-----------|---------------------------------|
| 1 | 687620009 | Lamp socket (unit) |
| 2 | 000009009 | Light bulb 240 v 15W BA15D |
| 3 | 000101105 | Set screw |
| 4 | 000053008 | Binder |
| 5 | 753620007 | Carrying handle (unit) |
| 6 | 753121003 | Carrying handle |
| 7 | 753122004 | Carrying handle plate |
| 8 | 000120502 | Set screw |
| 9 | 753117006 | Drag rod link holder plate |
| 10 | 753118007 | Drag rod link |
| 11 | 753099001 | BH drag rod (2) |
| 12 | 810220003 | Set screw |
| 13 | 000014007 | Snap ring |
| 14 | 753614008 | Step up base (unit) |
| 15 | 000101507 | Set screw |
| 16 | 000101404 | Set screw |
| 17 | 753098000 | BH drag rod |
| 18 | 000002105 | Snap ring |
| 19 | 000188405 | Nylon clip |
| 20 | 650166008 | Timing belt |
| 21 | 653508005 | Bobbin winder (unit) |
| 22 | 365076007 | Rubber ring |
| 23 | 810338000 | Bobbin winder frame spring |
| 24 | 686063005 | Hinge screw |
| 25 | 753120002 | Carrying handle supporter plate |
| 26 | 000081005 | Set screw |
| 27 | 753115004 | Belt cover |
| 28 | 000101806 | Set screw |
| 29 | 000115205 | Set screw |
| 30 | 753116005 | Belt cover setting plate |
| 31 | 739503009 | Machine socket (unit) |
| 32 | 739037007 | Machine socket cover |
| 33 | 000070317 | Set screw |
| 34 | 000103509 | Set screw |
| 35 | 000060802 | Nut |
| 36 | 000115504 | Set screw |
| 37 | 753619003 | Idler (unit) |
| 38 | 000002806 | Snap ring |
| 39 | 757620009 | Motor unit |



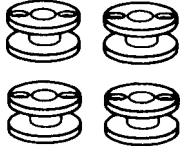
1



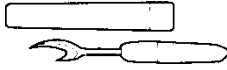
2



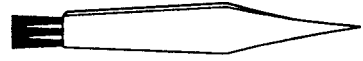
3



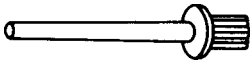
4



5



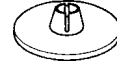
6



7



8



9



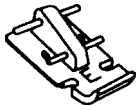
10



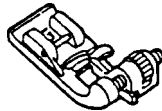
11



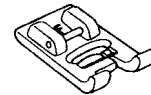
12



13



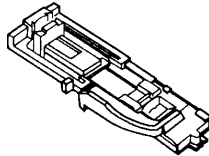
14



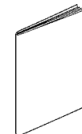
15



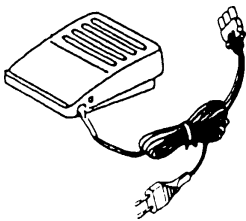
16



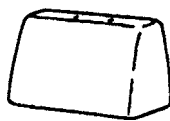
17



18



19



20

| No. | Part No. | Name |
|-----|-----------|---|
| 1 | 820832005 | Screwdriver (large) |
| 2 | 647803004 | Screwdriver (small) |
| 3 | 102403109 | Threading felt |
| 4 | 102261000 | Bobbin |
| 5 | 647808009 | Seam ripper |
| 6 | 802424004 | Lint brush |
| 7 | 625031500 | Spool pin |
| 8 | 822019509 | Spool holder (small) |
| 9 | 822020503 | Spool holder (large) |
| 10 | 540401026 | Needle Set |
| 11 | 802422002 | Quilting guide |
| 12 | 820809014 | Hemmer foot (D) |
| 13 | 823803006 | Zipper foot (E) |
| 14 | 820817015 | Blind stitch foot (G) |
| 15 | 820801016 | Buttonhole foot (B) |
| 16 | 820804019 | Overlock foot (C) |
| 17 | 753801004 | Buttonhole foot (R) |
| 18 | 753825004 | Instruction book (Russian) |
| | 753800209 | Instruction book (English & French) |
| | 753800405 | Instruction book (Dutch, German, Italian & Spanish) |
| 19 | C-2040 | Foot control |
| 20 | 476701108 | Hard resin cover |