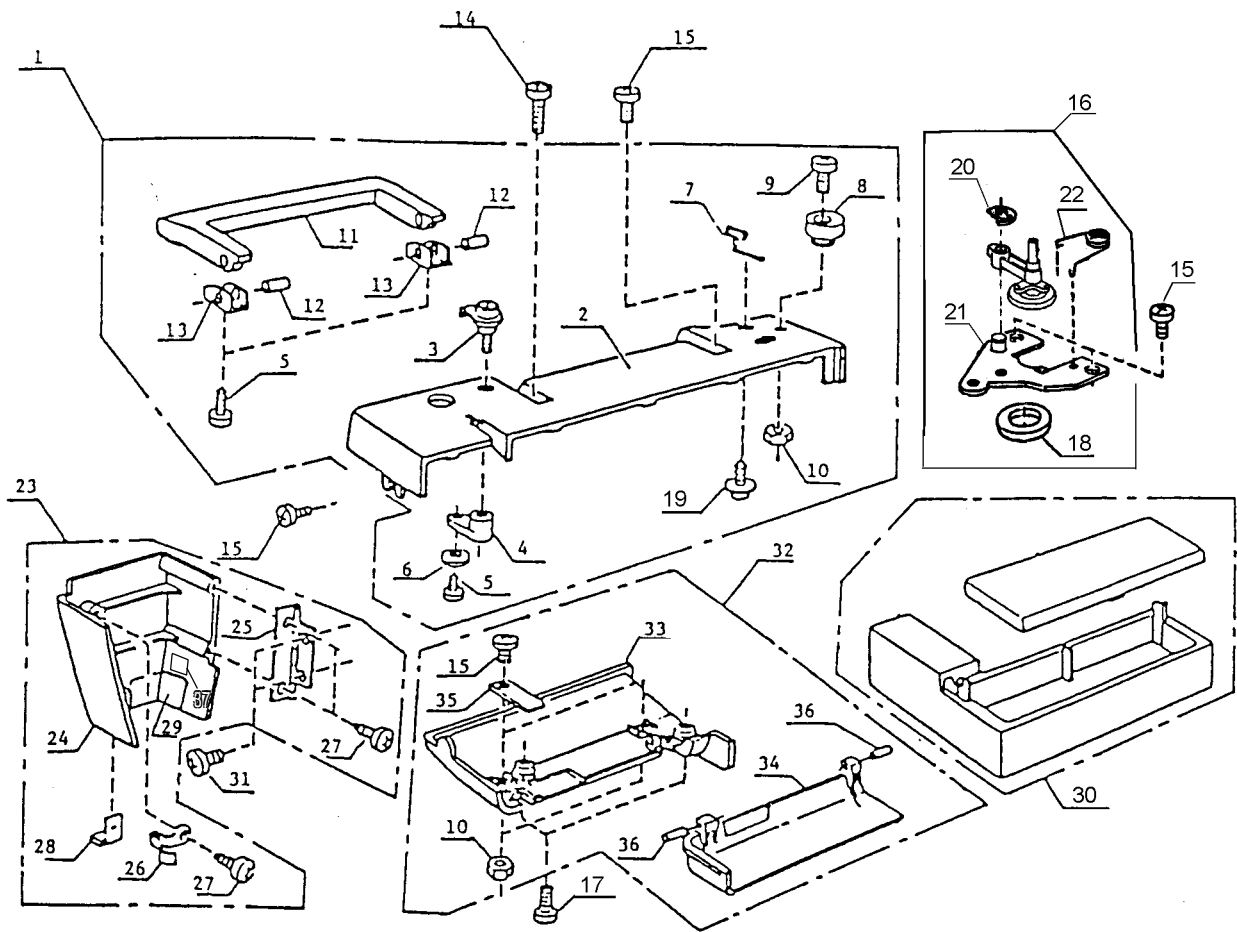
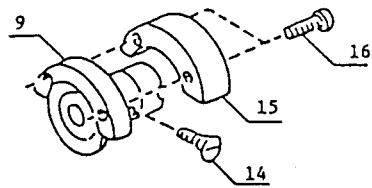
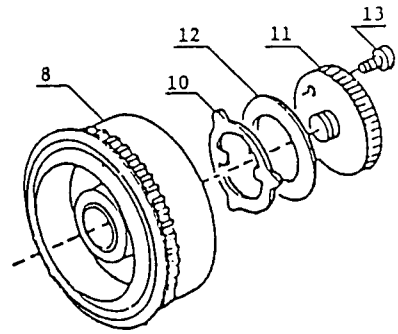
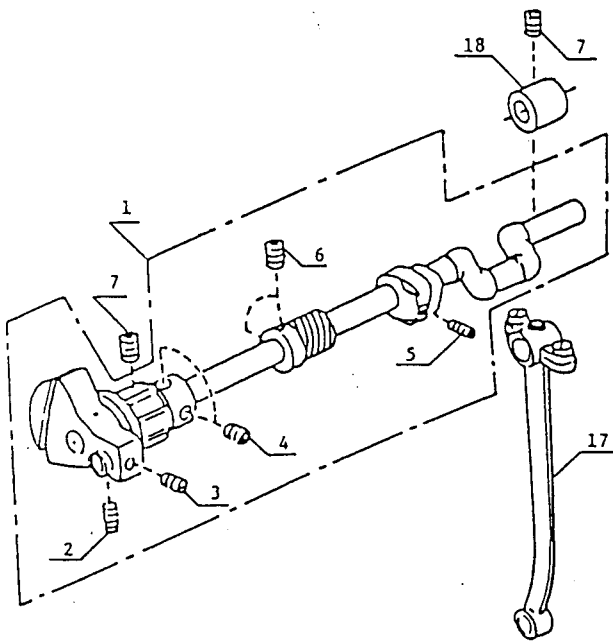


PARTS LIST

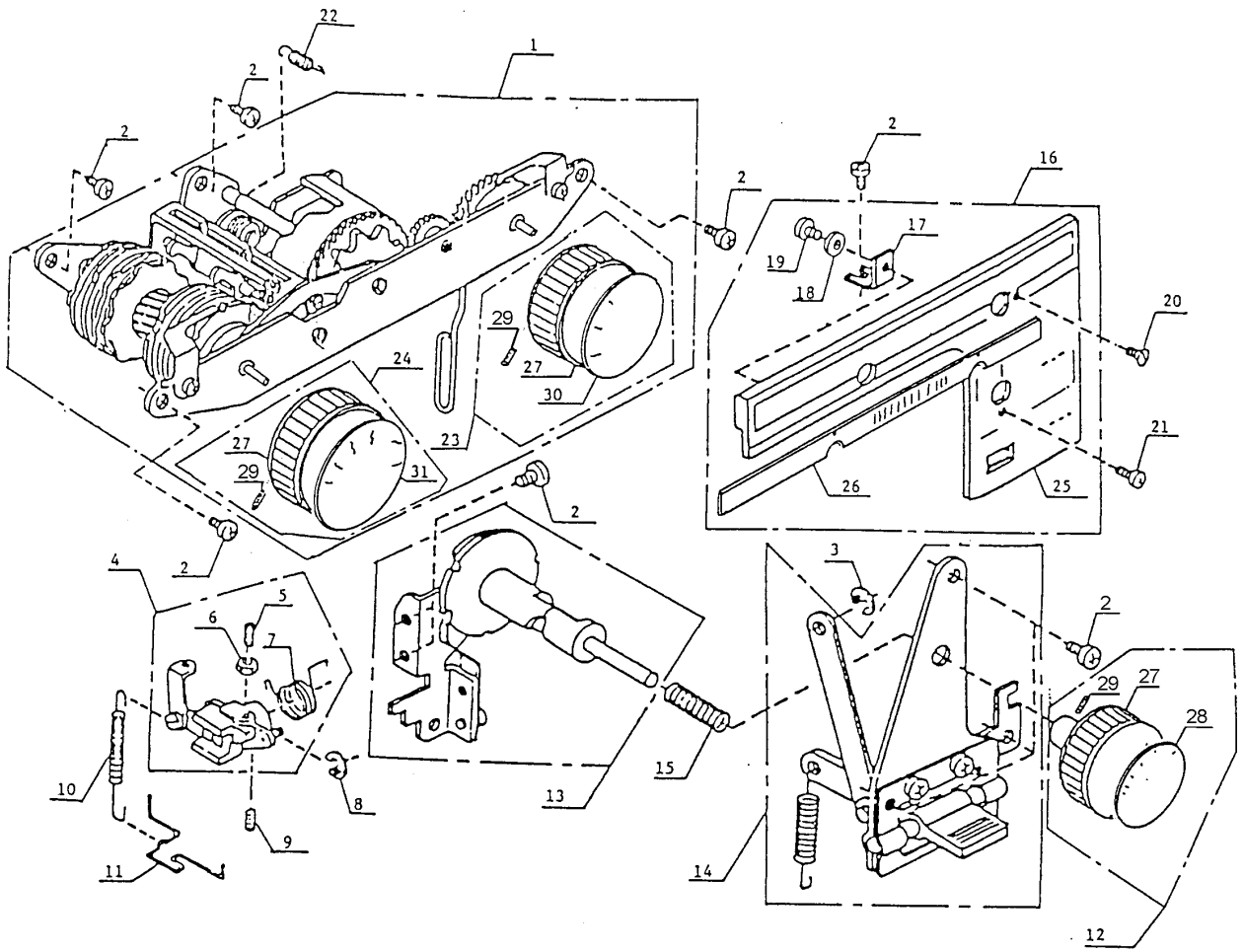
MODELS 380 & 381



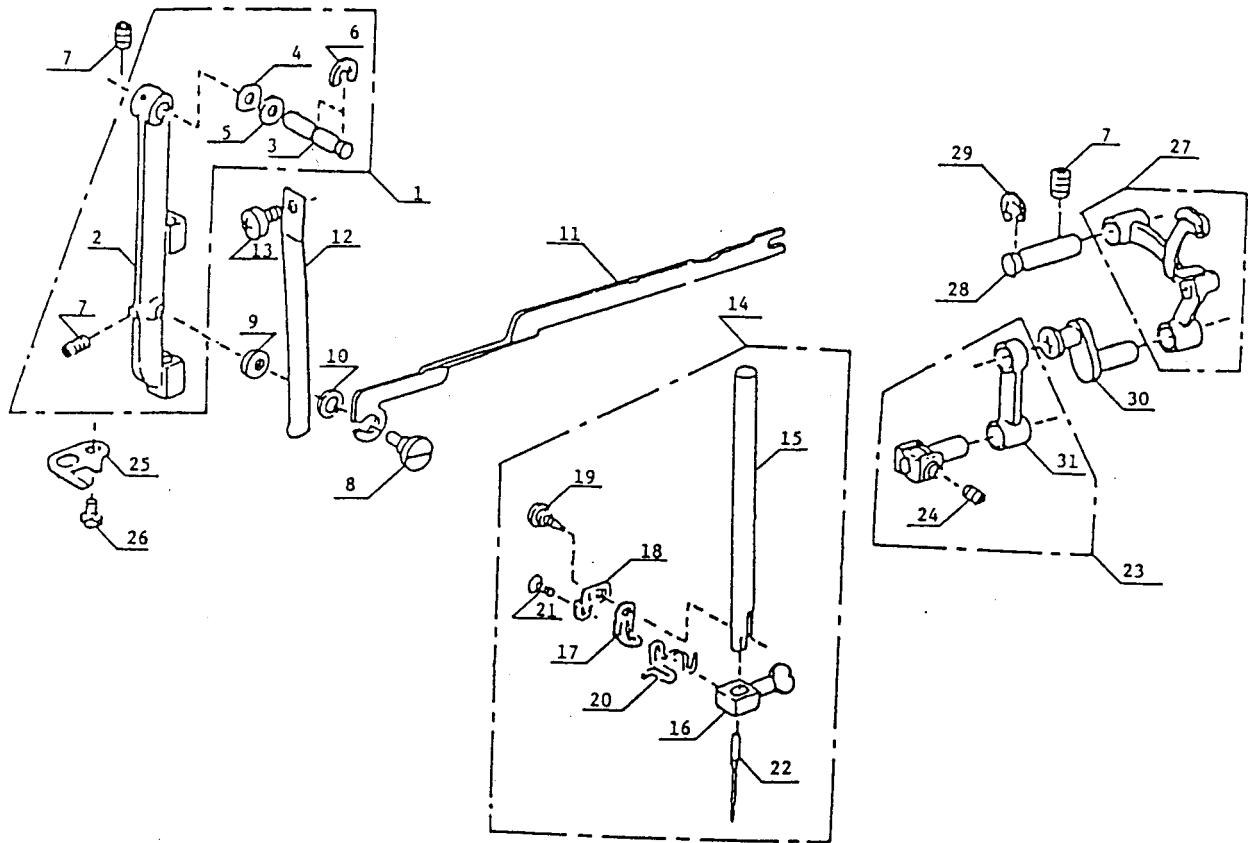
Ref.	Part No.	Name
1	731601602	Top cover unit
2	731003206	Top cover
3	730501011	Bobbin winder thread guide unit
4	822021009	Thread guide base
5	000107204	Set screw
6	000070104	Washer
7	731004001	Top cover thread guide
8	674064009	Bobbin winder stopper
9	000104119	Set screw
10	000061205	Nut
11	731005208	Handle
12	730015002	Pin
13	730016003	Handle set plate
14	000104108	Set screw
15	000101404	Set screw
16	730604107	Bobbin winder unit
17	000101703	Set screw
18	365076007	Bobbin winder ring
19	000109000	Set screw
20	000002806	Snap ring
21	730018108	Bobbin winder base
22	730019006	Bobbin winder spring
23	731602201	Face plate unit
	731650503	Face plate unit for Germany
24	731007200	Face plate
	731145304	Face plate for Germany
25	366501102	Face plate hinge unit
26	731067002	Spring
27	000161000	Set screw
28	840602006	Thread cutter unit
29	366076000	Face plate sticker
30	731665006	Extension table
31	000081119	Set screw
32	730601300	Bed cover unit
33	730004307	Bed cover
34	730005308	Hook cover
35	730006000	Leaf spring
36	000021409	Spring pin
37	100411104	Lamp sticker for Germany



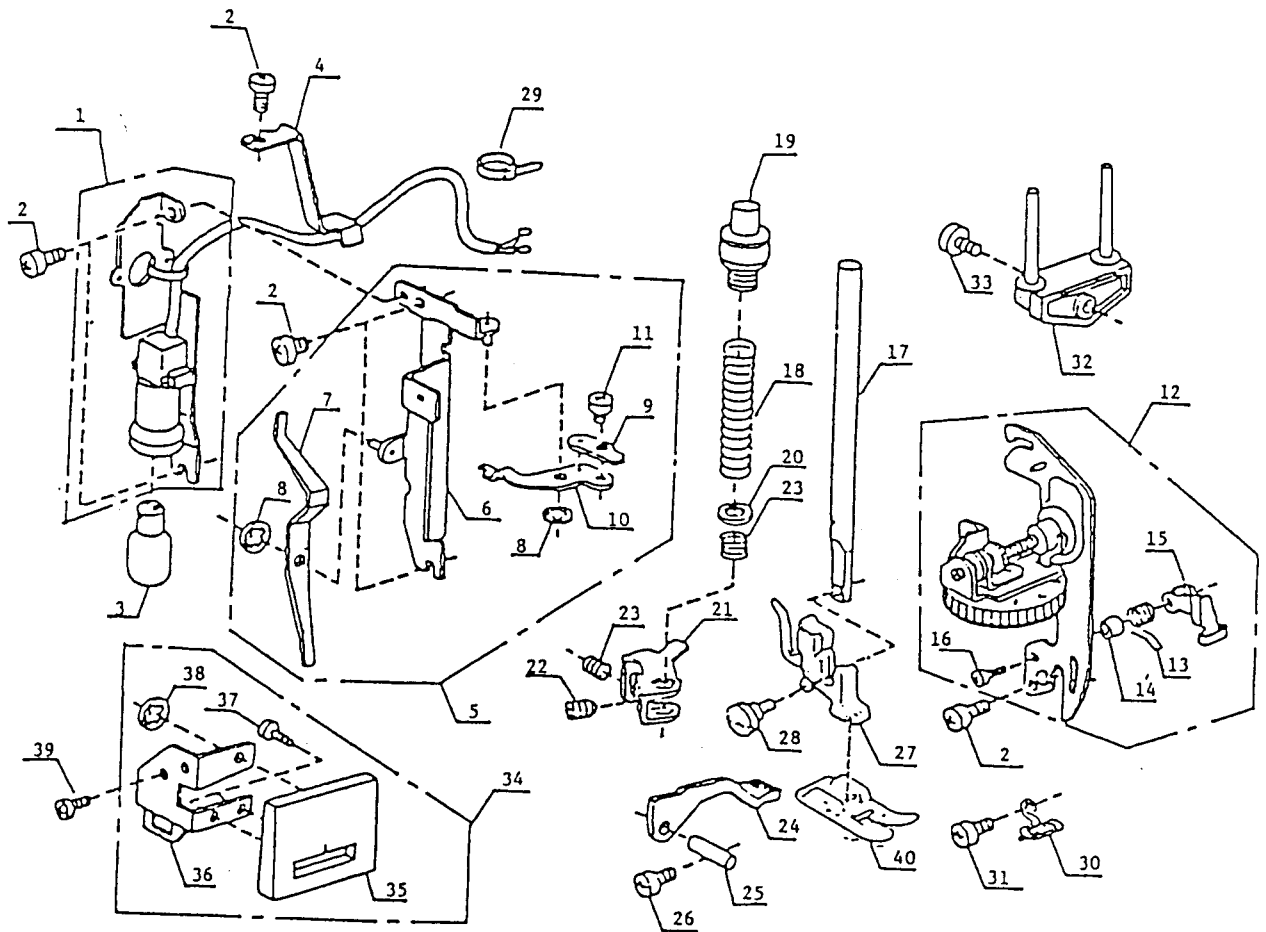
Ref.	Part No.	Name
1	730608008	Upper shaft unit
2	102073003	Set screw
3	102063000	Set screw
4	000111304	Hexagon socket screw
5	102133002	Set screw
6	553245008	Hexagon socket screw
7	000111108	Hexagon socket screw
8	730036308	Balance wheel
9	730037000	Balance wheel bushing
10	102076006	Stop motion washer
11	647036400	Stop motion large screw
12	647037009	Washer
13	102078101	Stop motion small screw
14	671106005	Set screw
15	640008000	Balance weight
16	000105202	Set screw
17	640602000	Crank rod unit
18	671021005	Bushing



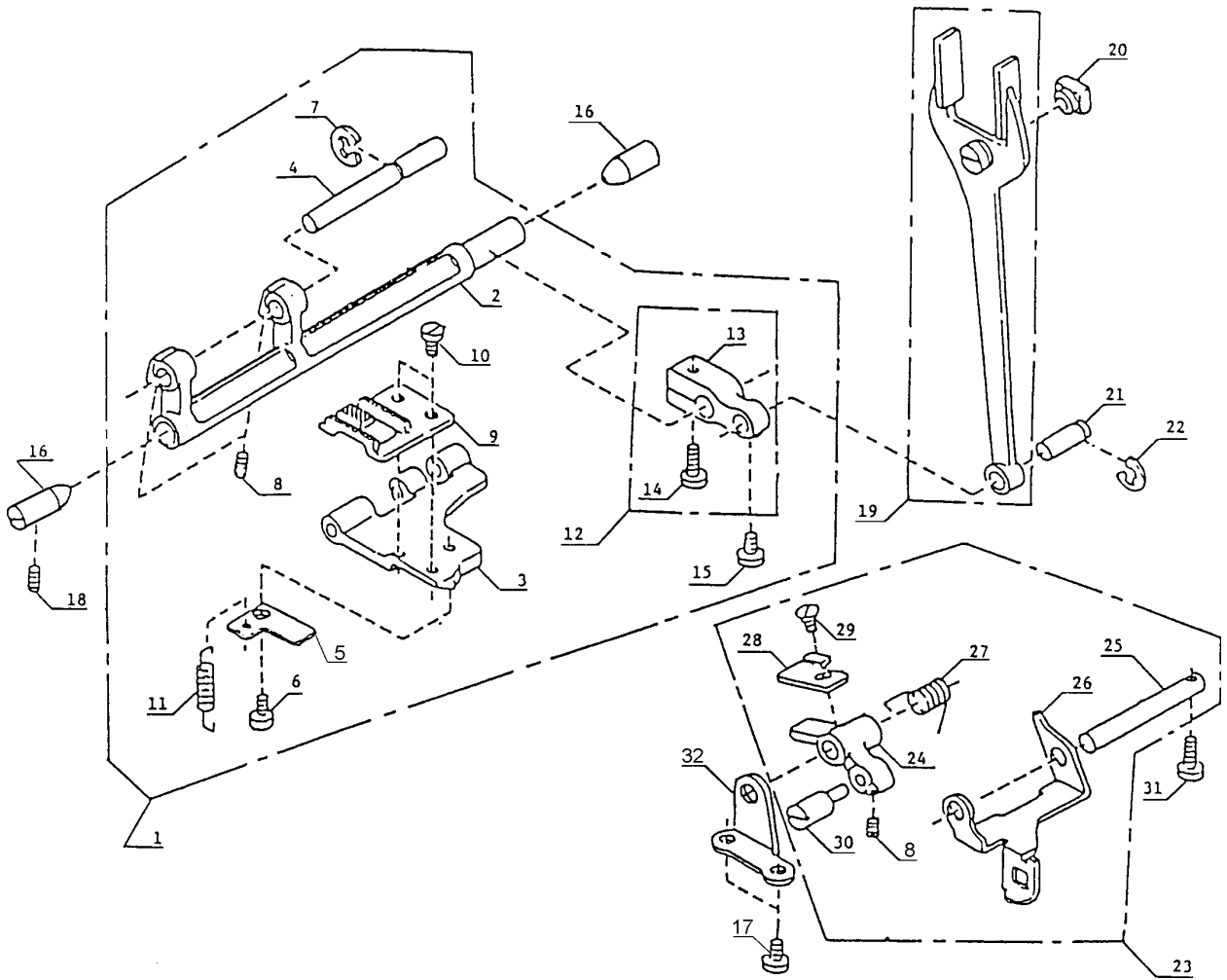
Ref.	Part No.	Name
1	731631209	Cam block unit for Russia & Chile
	731631405	Cam block unit for Germany
	731631140	Cam block unit for U.A.E. (Model L-396Y)
	731631151	Cam block unit for U.A.E. (Model L-396S)
2	000101404	Set screw
3	000002105	Snap ring
4	731605008	Feed regulator unit
5	648010009	Set screw
6	000160102	Nut
7	735077007	Spring
8	000000309	Snap ring
9	802097004	Hexagon socket screw
10	670100006	Spring
11	730041007	Spring holder
12	731606043	Stitch length dial unit for Russia
	731606087	Stitch length dial unit for Germany
	731606755	Stitch length dial unit for U.A.E. (Model L-396Y)
	731606766	Stitch length dial unit for U.A.E. (Model L-396S)
13	731607000	Feed regulating cam unit
14	731608609	Reverse lever unit
15	731029002	Spring
16	731626027	Front panel unit for Russia
	731626337	Front panel unit for Germany
	731626496	Front panel unit for U.A.E. (Model L-396Y)
	731626511	Front panel unit for U.A.E. (Model L-396S)
	731626278	Front panel unit for Chile
17	731037003	Panel set plate
18	000070104	Washer
19	000078319	Set screw
20	693091004	Set screw
21	000103303	Set screw
22	730092003	Spring
23	731611948	Pattern selector dial unit for Russia & Chile
	731611856	Pattern selector dial unit for Germany
	731611225	Pattern selector dial unit for U.A.E. (Model L-396Y)
	731611236	Pattern selector dial unit for U.A.E. (Model L-396S)
24	731628605	Zigzag width dial unit for Russia & Chile
	731628627	Zigzag width dial unit for Germany
	731628719	Zigzag width dial unit for U.A.E. (Model L-396Y)
	731628720	Zigzag width dial unit for U.A.E. (Model L-396S)
25	731325001	Front panel
	731361102	Front panel for Germany
	731257001	Front panel for U.A.E. (Model L-396Y & L-369S)
	731325506	Front panel for Chile
26	731326002	Pattern indicating plate for Russia & Chile
	731326301	Pattern indicating plate for Germany
	731265002	Pattern indicating plate for U.A.E. (Model L-396Y)
	731265105	Pattern indicating plate for U.A.E. (Model L-396S)
27	731023604	Dial
28	731024203	Stitch length indicating plate for Russia
	731024409	Stitch length indicating plate for Germany
	731259003	Stitch length indicating plate for U.A.E. (Model L-396Y)
29	000111201	Hexagon socket screw
30	731328004	Pattern indicating plate for Russia & Chile
	731328200	Pattern indicating plate for Germany
	731261008	Pattern indicating plate for U.A.E. (Model L-396Y)
	731264001	Pattern indicating plate for U.A.E. (Model L-396S)
31	731327003	Zigzag width indicating plate for Russia & Chile
	731327209	Zigzag width indicating plate for Germany
	731260007	Zigzag width indicating plate for U.A.E. (Model L-396Y)
	731263000	Zigzag width indicating plate for U.A.E. (Model L-396S)



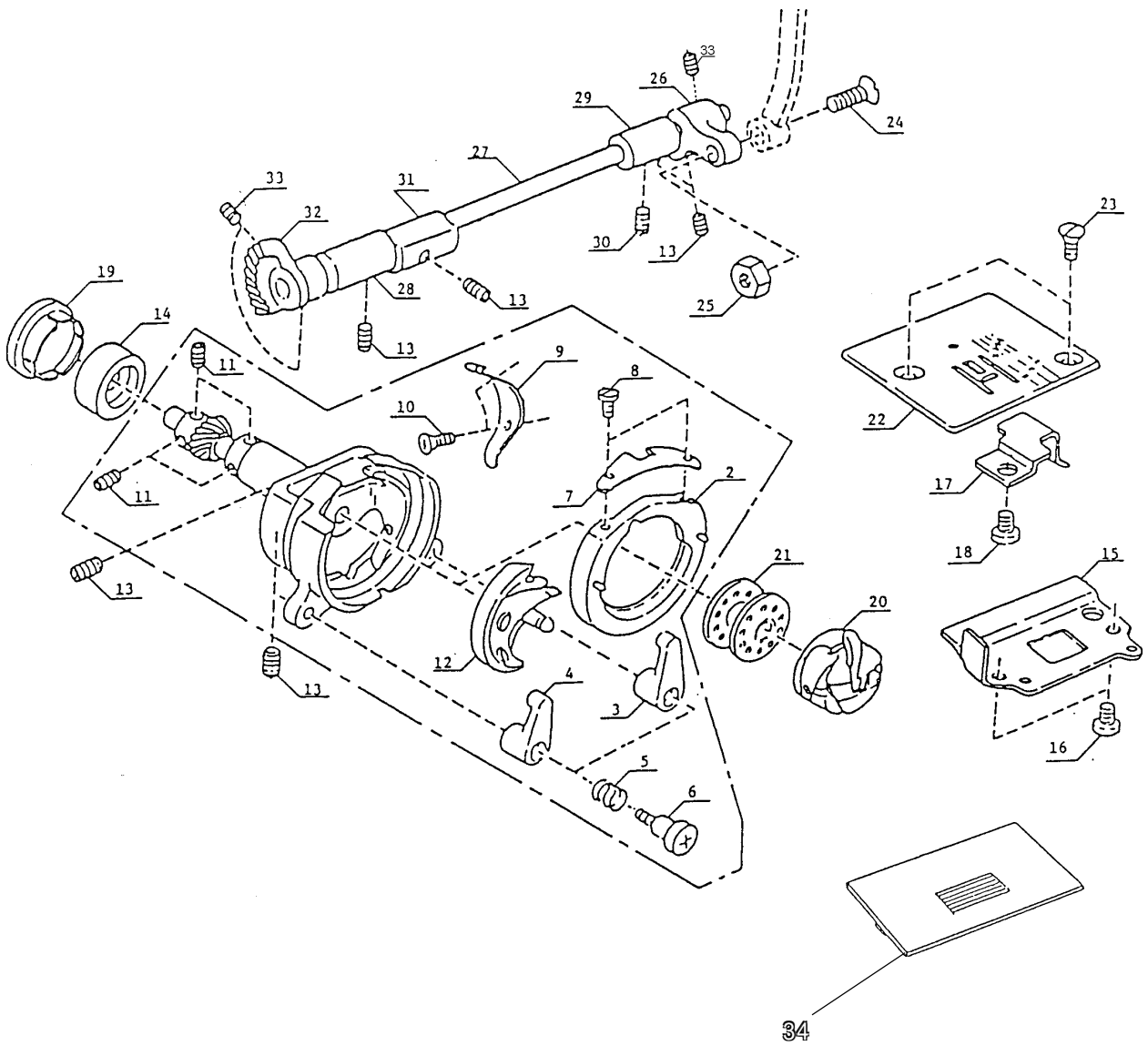
Ref.	Part No.	Name
1	730606006	Needle bar supporter unit
2	647130003	Needle bar supporter
3	730022002	Pin
4	673022002	Washer
5	000070609	Washer
6	000002507	Snap ring
7	000111304	Hexagon socket screw
8	678084007	Eccentric pin
9	670258000	Washer
10	678044005	Washer
11	730023003	Zigzag rod
12	730024004	Spring
13	000101404	Set screw
14	730503116	Needle bar unit
15	553085019	Needle bar
16	801506008	Needle clamp unit
17	730025005	Needle guide plate
18	732105006	Needle clamp set plate
19	802108009	Hinge screw
20	680043012	Needle bar thread guide
21	670047004	Set screw
22	102408089	Needle, size 14
23	680504005	Needle bar connecting stud unit
24	000111201	Hexagon socket screw
25	680036001	Stopper
26	000066303	Bolt
27	625506109	Thread take up lever unit
28	731511006	Pin
29	000002806	Snap ring
30	730509008	Needle bar crank pin unit



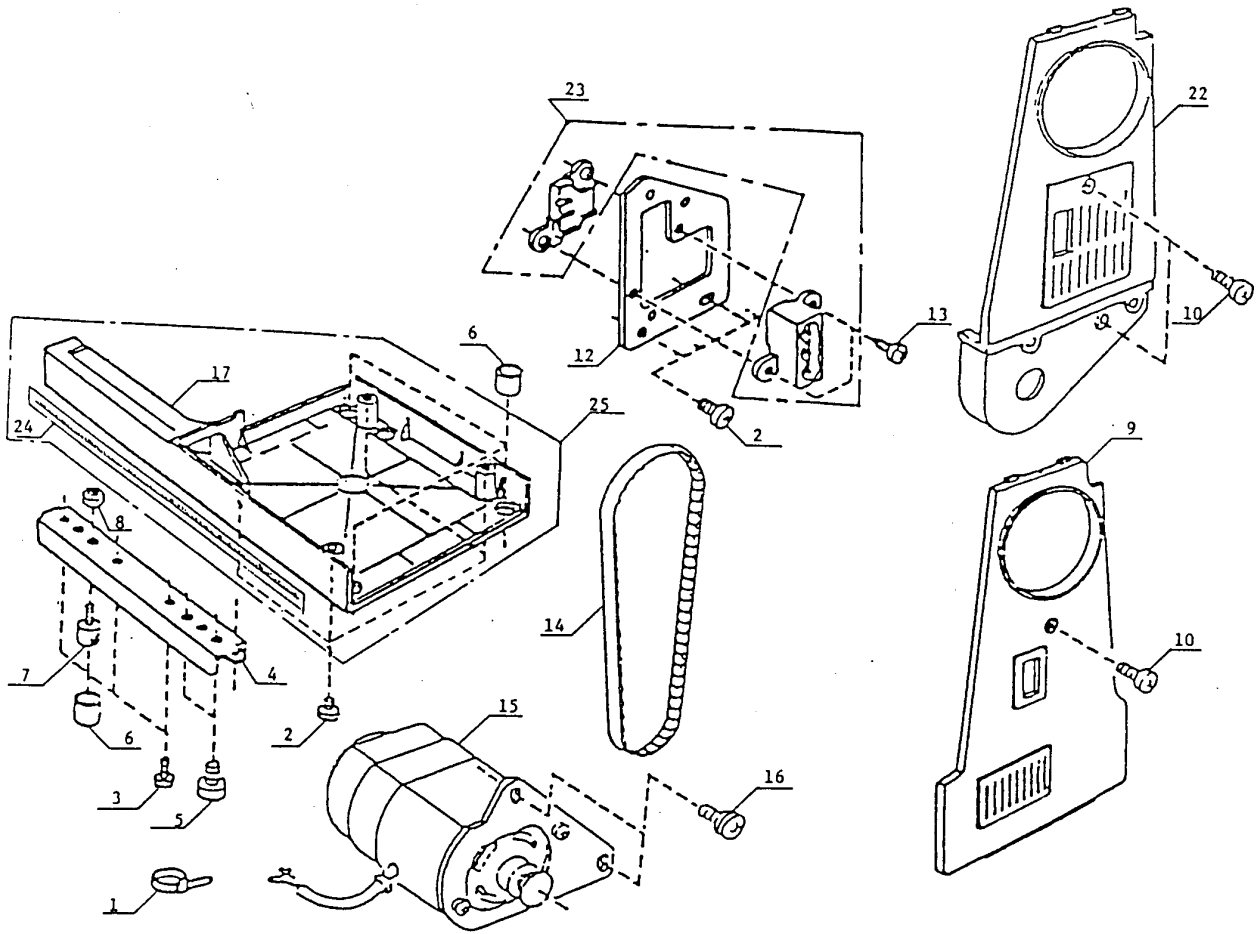
Ref.	Part No.	Name
1	647510001	Lamp socket unit for U.S.A.
	731506008	Lamp socket unit for Canada
	731664005	Lamp socket unit for Germany
	731503005	Lamp socket unit for 220-240V area
2	000101404	Set screw
3	000008606	Light bulb, 120V, 15W, E12
	000009009	Light bulb, 240V, 15W, BA-15
4	693047005	Cord holder
5	731603006	Front bracket unit
6	731010000	Front bracket
7	730029009	Tension release lever
8	000013903	Snap ring
9	731011001	Tension release plate
10	730031004	Tension release plate
11	000103808	Set screw
12	731501405	Tension unit
13	650044009	Check spring
14	625057007	Check spring guide
15	650045000	Thread guide
16	000069708	Set screw
17	350804006	Presser bar
18	731063008	Spring
19	647505117	Darner
20	102061008	Washer
21	822069009	Presser bar guide bracket
22	000111500	Hexagon socket screw
23	102222009	Spring
24	822071004	Presser bar lifter
25	822072005	Pin
26	000103509	Set screw
27	611510000	Foot holder unit
28	647112009	Thumb screw
29	000053008	Binder
30	731009006	Arm thread guide
31	000100300	Set screw
32	731006209	Spool pin
33	000115700	Set screw
34	731625808	Tension indicating plate unit for Russia
	731625048	Tension indicating plate unit for Germany
	731625174	Tension indicating plate for U.A.E. (Model L-396Y & L-396S)
	731625060	Tension indicating plate for Chile
35	731064700	Tension indicating plate for Russia
36	731062007	Face plate set plate
37	000120203	Set screw
38	000014007	Snap ring
39	000101507	Set screw
40	611511001	Zigzag foot



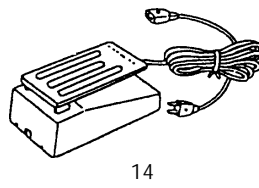
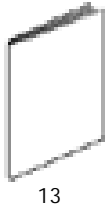
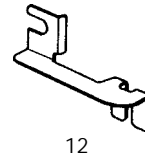
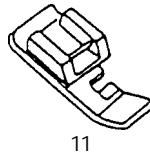
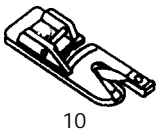
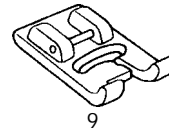
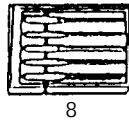
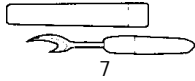
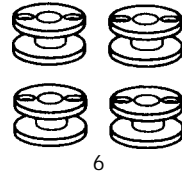
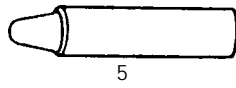
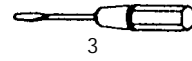
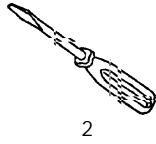
Ref.	Part No.	Name
1	730611004	Feed rock shaft unit
2	730057006	Feed rock shaft
3	647066007	Feed bar
4	647134007	Pin
5	648019008	Slide plate
6	102021202	Set screw
7	000002507	Snap ring
8	000111108	Hexagon socket screw
9	730184003	Feed dog
10	730183002	Set screw
11	672042005	Spring
12	647612015	Feed rock shaft crank unit
13	647064005	Feed rock shaft crank
14	102151006	Set screw
15	102205006	Set screw
16	738055008	Pin
17	000101404	Set screw
18	000111304	Hexagon socket screw
19	647607006	Forked rod unit
20	102141003	Slide block
21	673103008	Pin
22	000002806	Snap ring
23	730612005	Feed lift arm unit
24	738028002	Feed lift arm
25	730058007	Feed lift arm shaft
26	730059008	Drop feed lever
27	730061003	Spring
28	730062004	Slide plate
29	365032001	Set screw
30	730063016	Eccentric pin
31	000101703	Set screw
32	730064006	Pin supporter



Ref.	Part No.	Name
1	640603104	Hook race unit
2	553168006	Hook race ring
3	605065006	Clasp (A)
4	605066007	Clasp (B)
5	532184003	Spring
6	673290003	Hinge screw
7	601801000	Race ring spring
8	102100000	Set screw
9	670286007	Driver spring
10	102202003	Set screw
11	553245008	Hexagon socket screw
12	532096007	Shuttle hook
13	000111304	Hexagon socket screw
14	640018003	Bushing
15	730109004	Gear cover
16	000101208	Set screw
17	730107002	Gear cover
18	000101404	Set screw
19	626045407	Cap
20	647515006	Bobbin case unit
21	102261000	Bobbin
22	730027007	Needle plate
23	681009101	Set screw
24	761161000	Tapered screw
25	102129005	Nut
26	640010005	Lower shaft crank
27	647142008	Lower shaft
28	738024008	Bushing
29	640038009	Bushing
30	000111304	Hexagon socket screw
31	647043008	Feed lifting cam
32	730038001	Lower shaft gear
33	000110107	Hexagon socket screw



Ref.	Part No.	Name
1	000053008	Binder
2	000081005	Set screw
3	000107204	Set screw
4	730008002	Sole
5	000066808	Set screw
6	647009002	Cushion
7	647010006	Level adjusting screw
8	000061319	Nut
9	731002401	Belt cover
	731161100	Belt cover for Germany
10	000104119	Set screw
11	731624726	Base unit
	731624726	Base unit for Chile
12	731052004	Set plate
13	000121400	Set screw
14	624093002	Timing belt
15	023970104	Motor
	023191505	Motor for Germany
	023970104	Motor for U.A.E.
	013596307	Motor for U.S.A.
	023191505	Motor for Russia
	M-2026	Motor for Chile
16	000115504	Set screw
17	730010502	Base
18	_____	_____
19	_____	_____
20	_____	_____
21	_____	_____
22	721001409	Belt cover for Model 381
23	673541013	Machine socket unit for U.S.A. & Canada
	730507109	Machine socket unit for 220-240V area
24	731061305	Base measure
	731061305	Base measure for Chile
25	731624025	Base unit



No.	Part No.	Name
1	131400003	Accessory bag
2	647802003	Screwdriver (large)
3	647803004	Screwdriver (small)
4	102403109	Felt
5	741814003	Oiler with oil
6	102261000	Bobbin
7	647808009	Seam ripper
8	672432040	Set of needles
9	737801015	Buttonhole foot
10	553410006	Hemmer foot
11	611406002	Zipper foot
12	674401002	Blind hem guide
13	731400137	Instruction book (English & French)
	731400148	Instruction book (English & Spanish)
14	042870308	Foot control for Germany
	043370100	Foot control for U.A.E.
	033870104	Foot control for U.S.A.
	C2011	Foot control for Indonesia
	042870205	Foot control for Russia
15	465732001	Resin cover