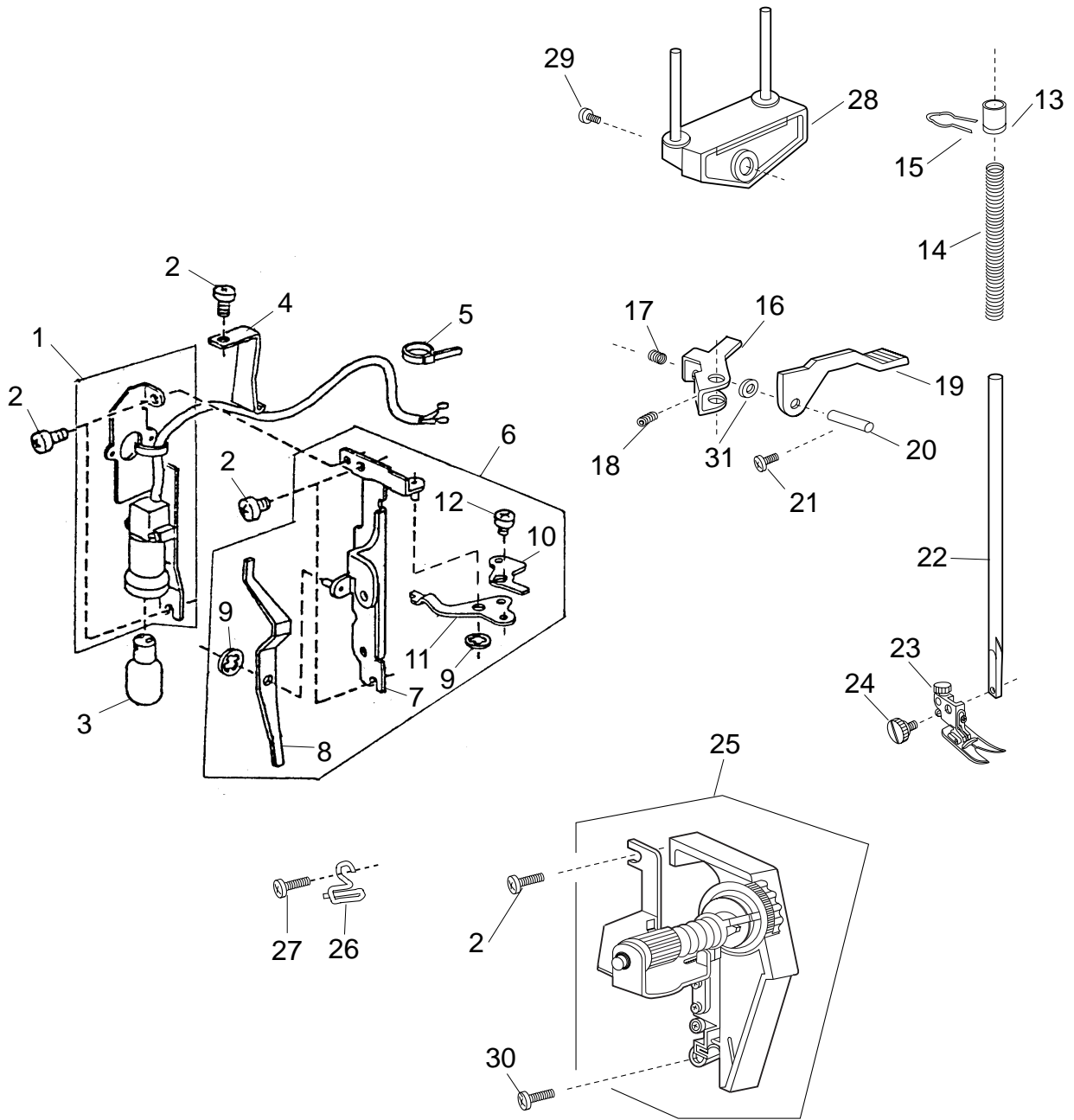
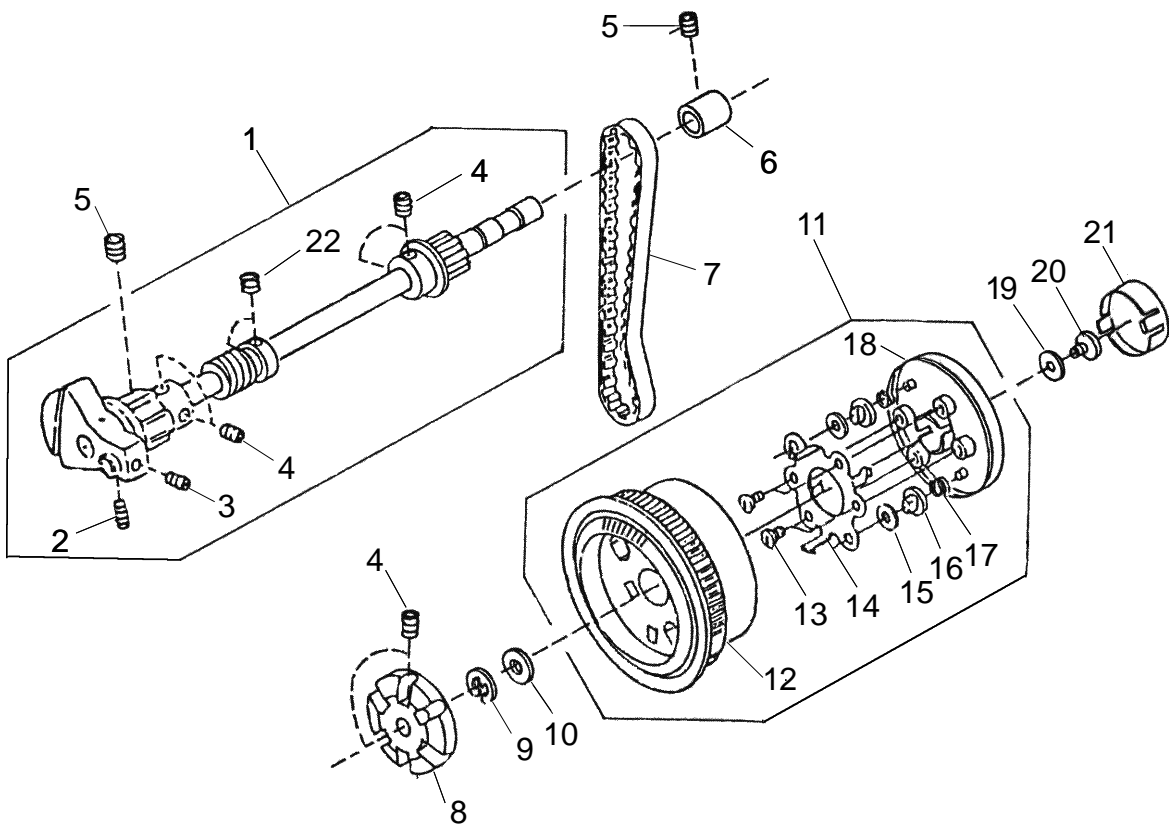


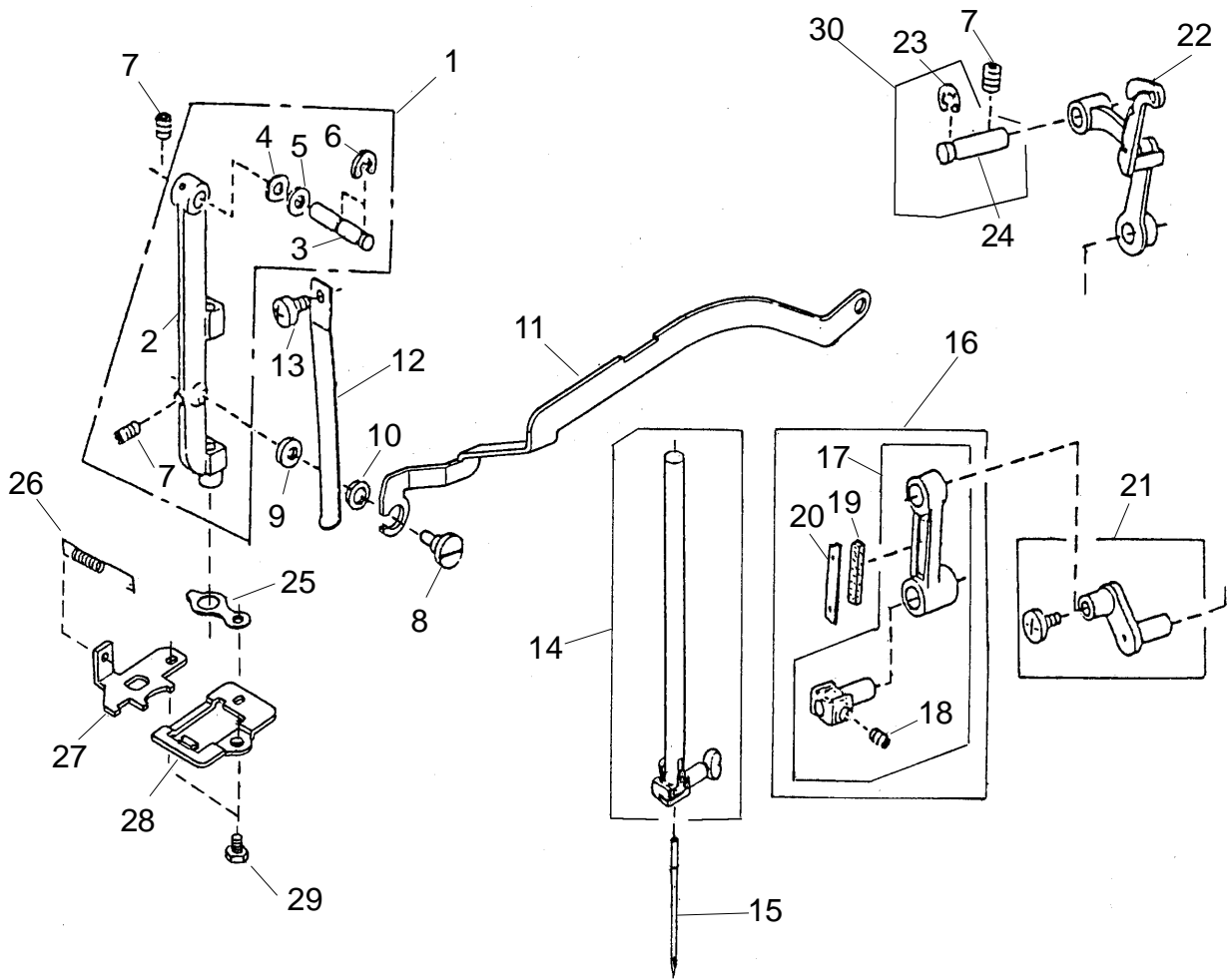
KEY NO.	PART NO.	DESCRIPTION
1	803601309	TOP COVER (UNIT)
2	803002038	TOP COVER
3	803003028	TOP COVER LID
4	673009003	TOP COVER LID SET PLATE
5	000101507	SET SCREW 3.5X5
6	000062701	NUT 3.5-3-6
7	670011009	TOP COVER LID SPRING
8	000005603	SPRING PIN 3-14
9	803615007	LID HINGE (RIGHT) (UNIT)
10	803075009	LID HINGE (RIGHT)
11	803056015	LID RELEASE LEVER
12	672009000	LID RELEASE LEVER SPRING
13	000002507	SNAP RING (E-4)
14	000149002	SET SCREW 3X10
15	803004007	LID HINGE (LEFT)
16	650503702	TOP COVER THREAD GUIDE (UNIT)
17	000014409	SNAP RING (CS-8)
18	803090000	TOP COVER THREAD GUIDE
19	000014100	SNAP RING (CS-2)
20	803005008	SPRING
21	731004001	TOP COVER THREAD GUIDE
22	000109000	TAPPING SCREW 3X6
23	652016101	BOBBIN WINDER STOPPER
24	000104119	SET SCREW 4X20
25	000061205	NUT 4-3-7
26	000103222	SET SCREW 4X30
27	803602001	BOBBIN WINDER UNIT
28	803507005	BOBBIN WINDER ARM (UNIT)
29	803006009	BOBBIN WINDER BASE PLATE
30	601010004	HINGE SCREW
31	730019006	BOBBIN WINDER ARM SPRING
32	553088104	NUT
33	365076007	BOBBIN WINDER RING
34	000101404	SET SCREW 4X6
35	803603024	FACE PLATE (UNIT)
36	840602006	THREAD CUTTER (UNIT)
37	366076000	FACE PLATE STICKER
38	803007022	FACE PLATE
39	000071013	WASHER



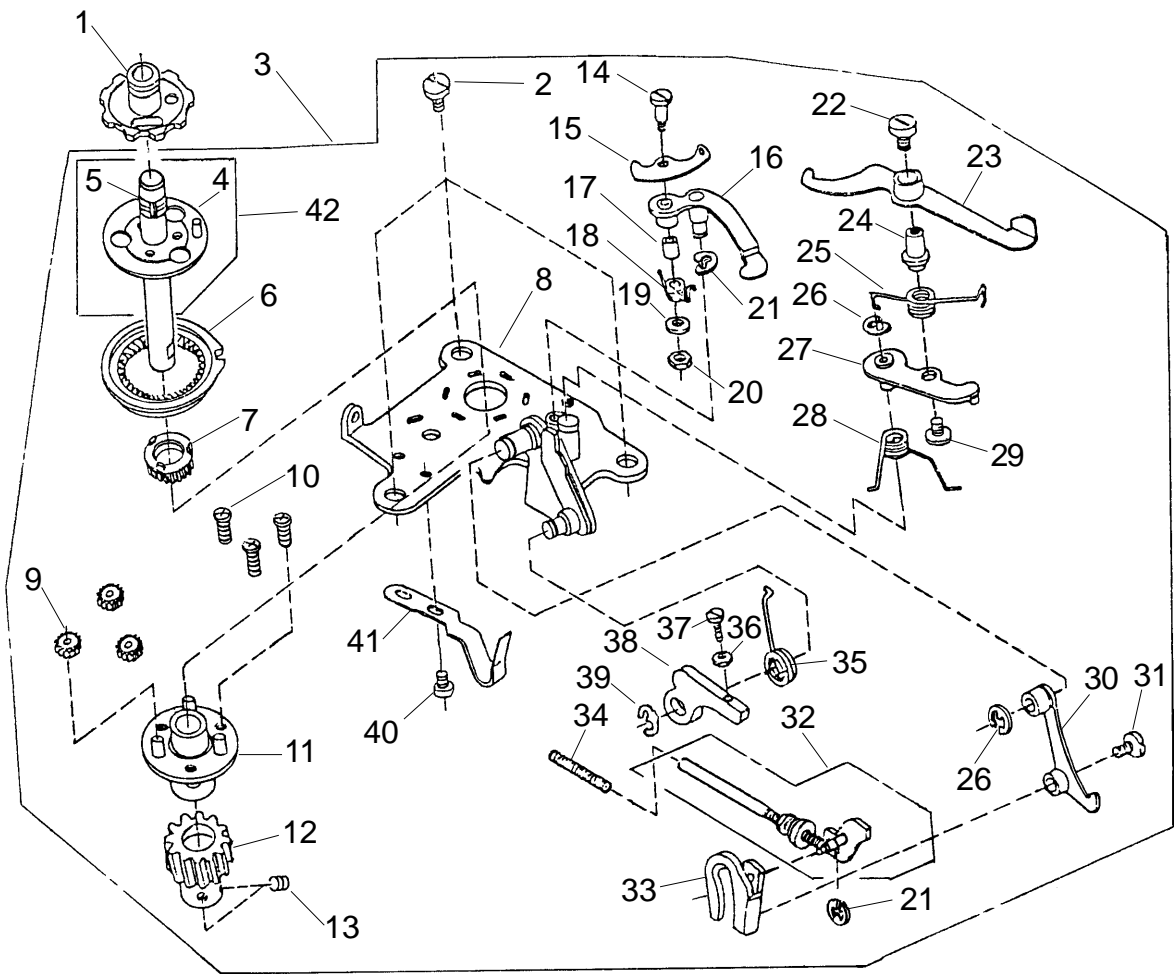
KEY NO.	PART NO.	DESCRIPTION
1	731503005	LAMP SOCKET (UNIT)
2	000101404	SET SCREW 4X6
3	000009009	LIGHT BULB 240V, 15W (BA15)
4	803072006	CORD HOLDER
5	000053008	CORD FIXING BAND SKB-1M
6	803614006	FRONT BASE PLATE (UNIT)
7	731099003	FRONT BASE PLATE
8	730029009	TENSION RELEASE LEVER
9	000013903	SNAP RING (CS-5)
10	803054002	TENSION RELEASE PLATE (1)
11	734014003	TENSION RELEASE PLATE (2)
12	000103808	SET SCREW 3X5
13	802021007	PRESSER BAR BUSHING (UPPER)
14	730026006	PRESSER BAR SPRING
15	802022008	SNAP RETAINER
16	822069009	PRESSER BAR BRACKET
17	102222009	DARNER SPRING
18	000111500	HEXAGONAL SOCKET SCREW 4X8
19	822071004	PRESSER BAR LIFTER
20	822072005	PRESSER BAR LIFTER PIN
21	000081005	SET SCREW 4X8
22	102801008	PRESSER BAR
23	685503010	PRESSER FOOT (UNIT)
24	753199002	THUMB SCREW
25	803503104	TENSION (UNIT)
26	731009006	ARM THREAD GUIDE
27	000100300	SET SCREW 3.5X5
28	731006209	SPOOL PIN BASE
29	000103509	SET SCREW 4X10
30	000101703	SET SCREW 4X12
31	822064004	FELT HOLDER (2)



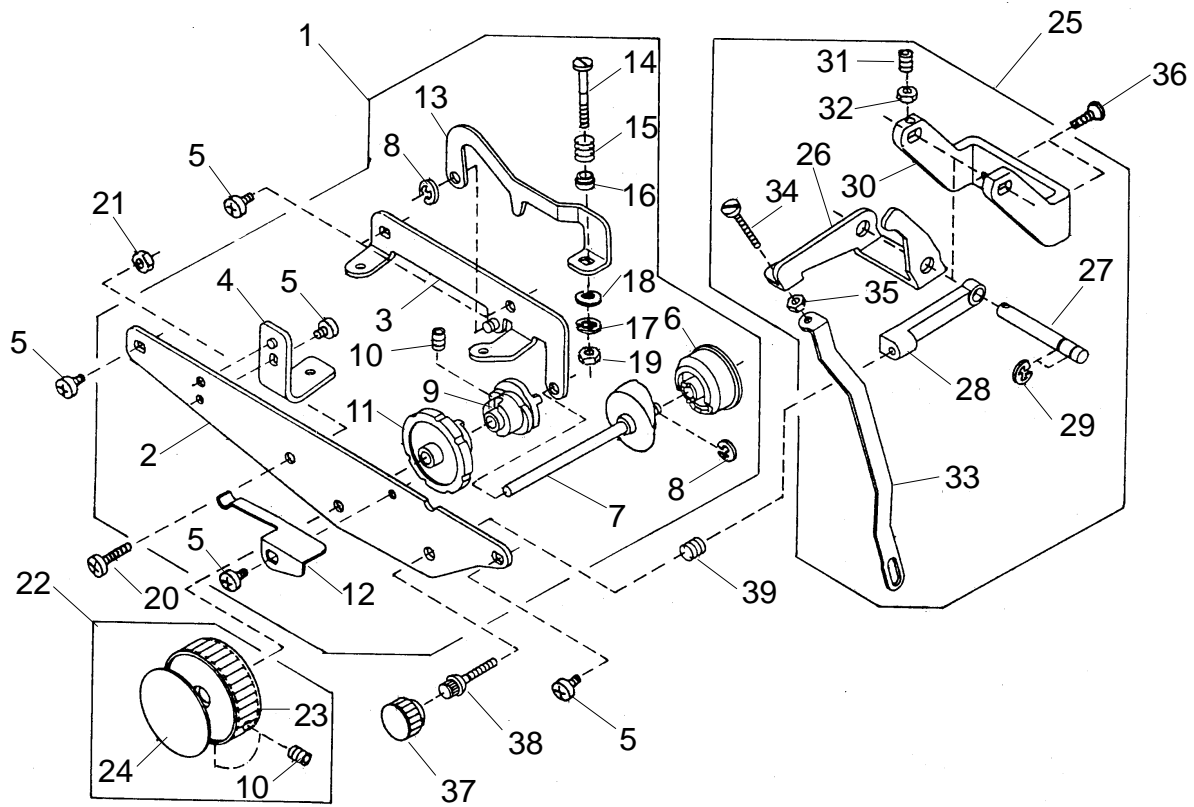
KEY NO.	PART NO.	DESCRIPTION
1	803605004	UPPER SHAFT (UNIT)
2	102073003	SET SCREW
3	102063000	SET SCREW
4	000111304	HEXAGONAL SOCKET SCREW 5X5
5	000111108	HEXAGONAL SOCKET SCREW 4X6
6	732003003	UPPER SHAFT REAR BUSHING
7	733008001	TIMING BELT
8	732027003	HANDWHEEL BUSHING
9	000030205	SNAP RING (E-8)
10	000036706	THRUST WASHER FT-100
11	803621109	HANDWHEEL (UNIT)
12	803078105	HANDWHEEL
13	000107307	TAPPING SCREW 3X8B
14	650068009	CLUTCH SPRING
15	650183001	CLUTCH PIN HOLDER
16	650065006	CLUTCH PIN
17	650066007	CLUTCH PIN SPRING
18	650067503	CLUTCH KNOB
19	650174009	WASHER
20	810346006	CLUTCH CAM SHAFT SCREW
21	650070509	CLUTCH CAP
22	553245008	HEXAGONAL SOCKET SCREW



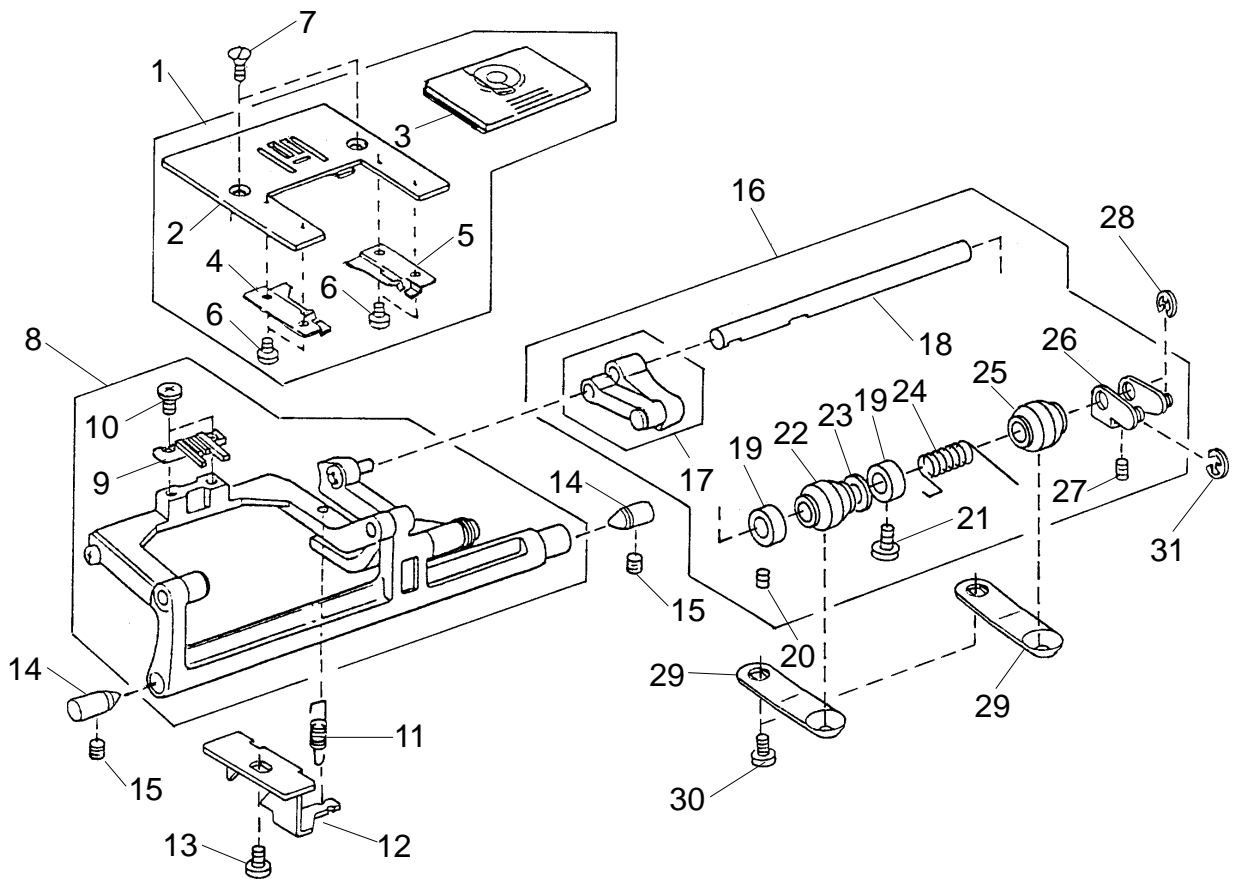
KEY NO.	PART NO.	DESCRIPTION
1	732618018	NEEDLE BAR SUPPORTER (UNIT)
2	732061010	NEEDLE BAR SUPPORTER
3	730022002	NEEDLE BAR SUPPORTER PIN
4	673022002	WAVING WASHER
5	000070609	PLAIN WASHER 6
6	000002507	SNAP RING (E-4)
7	000111304	HEXAGONAL SOCKET SCREW 5X5
8	678084007	ECCENTRIC PIN
9	670258000	PLAIN WASHER
10	678044005	PLAIN WASHER
11	803047002	ZIGZAG CONNECTING ROD
12	730024004	NEEDLE BAR SUPPORTER SPRING
13	000101404	SET SCREW 4X6
14	803622007	NEEDLE BAR (UNIT)
15	102408089	NEEDLE HA-1,#14
16	803613005	NEEDLE BAR CONNECTING STUD (UNIT)
17	803504002	NEEDLE BAR CONNECTING STUD
18	000111201	HEXAGONAL SOCKET SCREW 4X4
19	650040005	FELT
20	650041006	FELT HOLDER SPRING
21	732505000	NEEDLE BAR CRANK PIN (UNIT)
22	822512105	TAKE-UP LEVER UNIT
23	000002806	SNAP RING (E-6)
24	647040005	TAKE-UP LEVER PIN
25	803009002	NEEDLE BAR SUPPORTER GUIDE PLATE
26	732064002	NEEDLE BAR SUPPORTER STOPPER SPRING
27	803008001	NEEDLE BAR SUPPORTER STOPPER
28	803069000	NEEDLE BAR SUPPORTER ADJUSTING PLATE
29	000066303	HEXAGON BOLT
30	731511006	THREAD TAKE-UP LEVER PIN (UNIT)



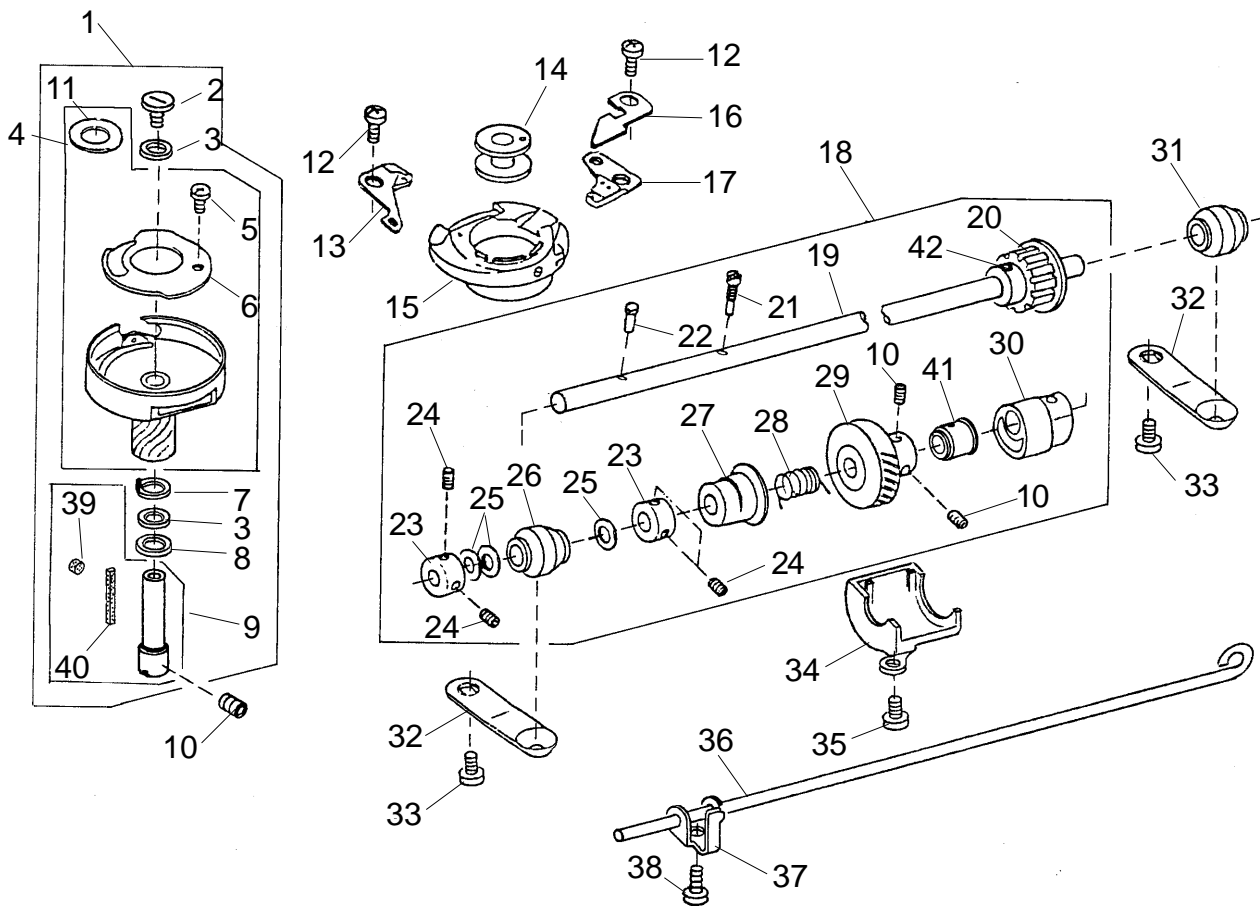
KEY NO.	PART NO.	DESCRIPTION
1	670143001	BASIC CAM
2	672062001	SET SCREW
3	803611003	ZIGZAG MECHANISM (UNIT)
4	802544012	CAM SHAFT (UNIT)
5	802164003	CAM SHAFT RING
6	802159005	GEAR
7	802157003	GEAR
8	803505025	ZIGZAG MECHANISM BASE
9	802158004	GEAR
10	000068006	SET SCREW 3X8
11	802545013	CAM SHAFT BUSHING (UNIT)
12	672065004	CAM SHAFT GEAR
13	553245008	SET SCREW
14	672071003	HINGE SCREW
15	673143000	CAM FOLLOWER
16	673305002	CAM FOLLOWER HOLDER
17	672070002	CAM FOLLOWER RING
18	672069008	CAM FOLLOWER SPRING
19	672072004	PLAIN WASHER
20	553143005	NUT
21	000002507	SNAP RING (E-4)
22	672080005	SET SCREW
23	803058006	CAM FOLLOWER
24	672079001	CAM FOLLOWER HOLDER PIN
25	672077009	CAM FOLLOWER SPRING
26	000002806	SNAP RING (E-6)
27	673303000	CAM FOLLOWER HOLDER
28	672075007	CAM FOLLOWER HOLDER SPRING
29	672086001	SET SCREW
30	803067008	NEEDLE POSITION REG. ARM
31	553069006	SET SCREW
32	802530004	ZZ CONNECTING ROD (UNIT)
33	802116000	ZZ CONNECTING ARM
34	670151002	ZZ CONNECTING SPRING
35	672090008	LEVER ARM SPRING
36	553143005	NUT
37	672093001	SET SCREW
38	672091009	BH STOPPER ARM
39	000001609	SNAP RING (E-5)
40	000115401	SET SCREW
41	672088003	NEEDLE POSITION REG. SPRING
42	802643XXX	CAM SHAFT (UNIT)



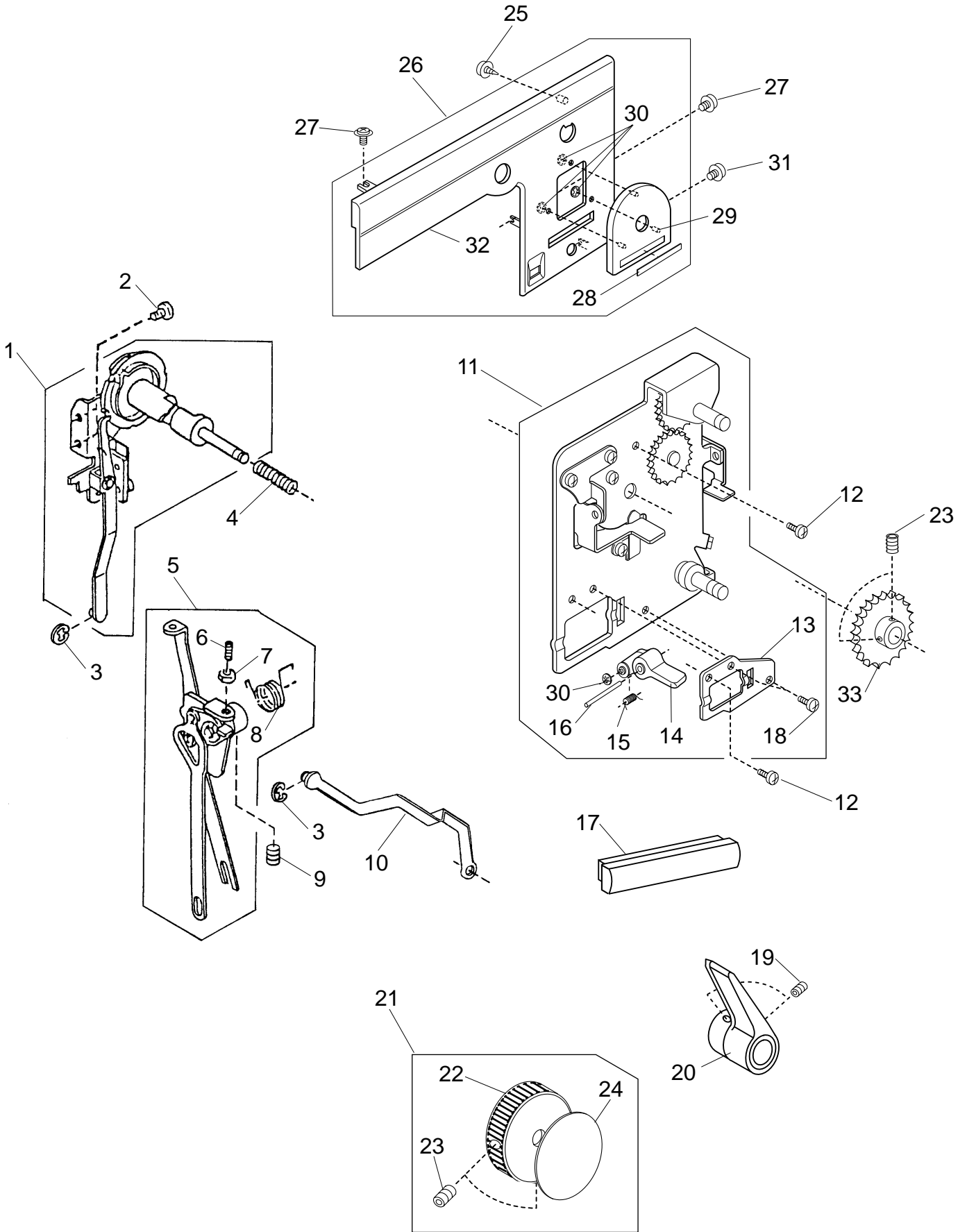
KEY NO.	PART NO.	DESCRIPTION
1	803611003	STITCH CONTROL BASE (UNIT)
2	803029008	STITCH CONTROL BASE (1)
3	803030002	STITCH CONTROL BASE (2)
4	803071005	STITCH CONTROL BASE (3)
5	000101404	SET SCREW 4X6
6	803033005	BH WIDTH REGULATING CAM
7	803034006	SS SELECTING CAM
8	000002507	SNAP RING (E-4)
9	803035007	NEEDLE POSITION REG. CAM
10	000111201	HEXAGONAL SOCKET SCREW 4X4
11	803036008	SELECTOR INDEX CAM
12	803037009	SELECTOR INDEX SPRING
13	803038000	BH FEED REGULATING ARM
14	589039008	BH FEED ADJUSTING SCREW
15	598040002	BH FEED SPRING
16	560197006	BH FEED SPRING HOLDER
17	000001207	SNAP RING (E-2.5)
18	000071013	PLAIN WASHER 4
19	532126007	NUT
20	000103118	SET SCREW 4X14
21	000062402	NUT
22	803630005	SELECTOR DIAL (UNIT)
23	803017003	DIAL
24	803060001	DIAL INDICATING PLATE
25	803612004	FEED REGULATOR ARM (UNIT)
26	803040005	FEED REGULATOR ARM
27	803041006	FEED REGULATOR ARM SHAFT
28	803076000	FEED REGULATING ROD
29	000001609	SNAP RING (E-5)
30	803043008	FEED REGULATOR ARM BASE
31	000111809	HEXAGONAL SOCKET SCREW 3X10
32	000063104	NUT 3-2-5.5
33	803045000	SS ROD
34	734076003	SS ADJUSTING SCREW
35	000160102	ADJUSTABLE LOCK NUT 4
36	000069432	SET SCREW 4X10
37	803046001	PATTERN ELONGATOR DIAL
38	673162005	PATTERN ELONGATOR LEAD SCREW
39	589040002	BH FEED SPRING



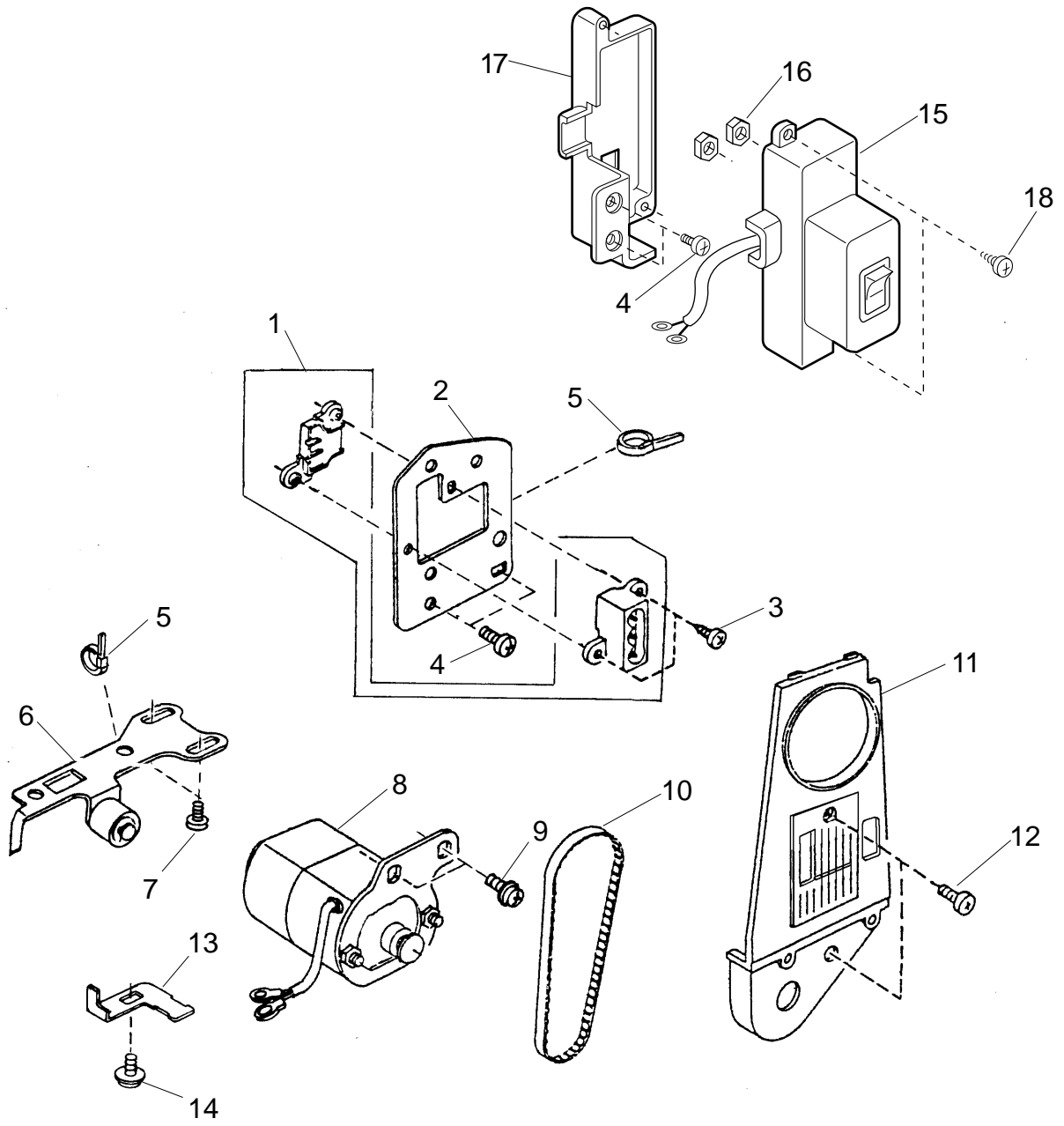
KEY NO.	PART NO.	DESCRIPTION
1	803604003	NEEDLE PLATE (UNIT)
2	803010109	NEEDLE PLATE
3	732013202	SLIDE PLATE
4	732014007	SLIDE PLATE HOLDER (LEFT)
5	732015008	SLIDE PLATE HOLDER (RIGHT)
6	820374004	SET SCREW 2X2.3
7	681009101	SET SCREW
8	803609008	FEED ROCK SHAFT (UNIT)
9	652109009	FEED DOG
10	681008007	SET SCREW
11	650085002	FEED BAR SPRING
12	732054010	FEED BAR SPRING HOLDER
13	000103705	SET SCREW 4X5
14	738055008	CENTER SCREW
15	000113605	HEXAGONAL SOCKET SCREW 5X8
16	803607006	FEED REGULATING SHAFT (UNIT)
17	650612004	FEED REGULATOR (UNIT)
18	732037006	FEED REGULATING SHAFT
19	820387000	RING
20	000111201	HEXAGONAL SOCKET SCREW 4X4
21	000069605	SET SCREW 4X8
22	732039008	FEED REG. SHAFT BUSHING (FRONT)
23	625102008	PLAIN WASHER
24	650088005	FEED REGULATOR SPRING
25	732040002	FEED REG. SHAFT BUSHING (REAR)
26	803014000	FEED REG. SHAFT PLATE
27	000177308	HEXAGONAL SOCKET SCREW 4X6
28	000002105	SNAP RING (E-3)
29	732035004	BUSHING HOLDING PLATE
30	000101208	SET SCREW 5X6
31	000000309	SNAP RING



KEY NO.	PART NO.	DESCRIPTION
1	732611103	HOOK (UNIT)
2	625103009	HOOK DRIVER SHAFT LID
3	000038409	WASHER
4	652623004	HOOK UNIT
5	820374004	SET SCREW 2X2.3
6	627191000	HOOK BOTTOM PLATE
7	627192001	HOOK DRIVER SHAFT WASHER (1)
8	625102008	PLAIN WASHER
9	625613100	HOOK DRIVER SHAFT (UNIT)
10	000111304	HEXAGONAL SOCKET SCREW 5X5
11	627190010	MAGNET
12	810220003	SET SCREW
13	627179013	BOBBIN HOLDER STOPPER
14	102261000	BOBBIN
15	627569106	BOBBIN HOLDER (UNIT)
16	732099006	STOPPER COVER PLATE
17	627567001	BOBBIN HOLDER STOPPER (UNIT)
18	732610009	LOWER SHAFT (UNIT)
19	732032001	LOWER SHAFT
20	650073007	LOWER SHAFT TIMING GEAR
21	000149105	SET SCREW 3X14
22	820161006	FEED LIFTING PIN
23	820166001	RING
24	000111201	HEXAGONAL SOCKET SCREW 4X4
25	000038409	WASHER
26	732033002	LOWER SHAFT BUSHING (FRONT)
27	753183025	FEED LIFTING CAM
28	686035008	FEED LIFTING CAM SPRING
29	650955002	LOWER SHAFT GEAR
30	823026111	FEED CAM
31	732034003	LOWER SHAFT BUSHING (REAR)
32	732035004	BUSHING HOLDING PLATE
33	000101208	SET SCREW 5X6
34	732036005	GEAR BOX LID
35	000081005	SET SCREW 4X8
36	732051006	PLUNGER ROD
37	732052007	DROP FEED SELECTING PLATE
38	000078319	SET SCREW 3X6
39	820125008	OIL FELT (2)
40	625101007	HOOK DRIVER SHAFT OIL FELT
41	625217100	IDLER
42	000004200	SPRING PIN



KEY NO.	PART NO.	DESCRIPTION
1	803617102	FEED ADJUSTING CAM UNIT
2	000101404	SET SCREW 4 x 6
3	000002105	SNAP RING (E-3)
4	731029002	STITCH LENGTH DIAL SPRING
5	803608007	FEED REGULATOR ARM UNIT
6	000177308	HEXAGONAL SOCKET SCREW 4 x 6
7	000160102	ADJUSTABLE LOCK NUT 4
8	735077007	FEED REGULATOR SPRING
9	000111304	HEXAGONAL SOCKET SCREW 5 x 5
10	803118005	ZIGZAG WIDTH REGULATING ROD
11	803624009	ZIGZAG WIDTH REGULATING BASE UNIT
12	000081005	SET SCREW 4 x 8
13	803117004	REVERSE LEVER PLATE
14	803115002	REVERSE LEVER
15	803116003	REVERSE LEVER SPRING
16	730015002	HANDLE SUPPORTER SHAFT
17	803120000	ZIGZAG WIDTH STOPPER BUTTON
18	000103808	SET SCREW 3 x 5
19	000110107	HEXAGONAL SOCKET SCREW 5 x 5
20	803119006	ZIGZAG WIDTH REGULATING LEVER
21	803616008	STITCH LENGTH DIAL UNIT
22	803017003	DIAL
23	000111201	HEXAGONAL SOCKET SCREW 4 x 4
24	803057005	STITCH LENGTH INDICATOR
25	000149002	SET SCREW WITH FLANGE 3 x 10
26	803625000	FRONT PANEL UNIT
27	000115205	TAPPING SCREW 4 x 6
28	803123003	ZIGZAG WIDTH INDICATING PLATE
29	803122002	STITCH LENGTH DIAL PANEL
30	000014007	SNAP RING (CS-4)
31	000114709	TAPPING SCREW 3 x 6
32	803121104	FRONT PANEL
33	803103100	GEAR



KEY NO.	PART NO.	DESCRIPTION
1	730507109	MACHINE SOCKET (UNIT)
2	803125005	MACHINE SOCKET BASE
3	000121400	SET SCREW 3X14B
4	000081005	SET SCREW 4X8
5	000053008	CORD FIXING BAND SKB-1M
6	732609016	IDLER (UNIT)
7	000101404	SET SCREW 4X6
8	M2059	MOTOR (UNIT)
9	000115504	SET SCREW 5X10
10	803079003	TIMING BELT
11	733002533	BELT COVER
12	000104119	SET SCREW 4X20
13	803073007	MOTOR HOLDING PLATE
14	000115607	SET SCREW 4X8
15	803512003	LAMP SWITCH (UNIT)
16	000060802	NUT
17	731399006	SWITCH COVER
18	000121400	SET SCREW