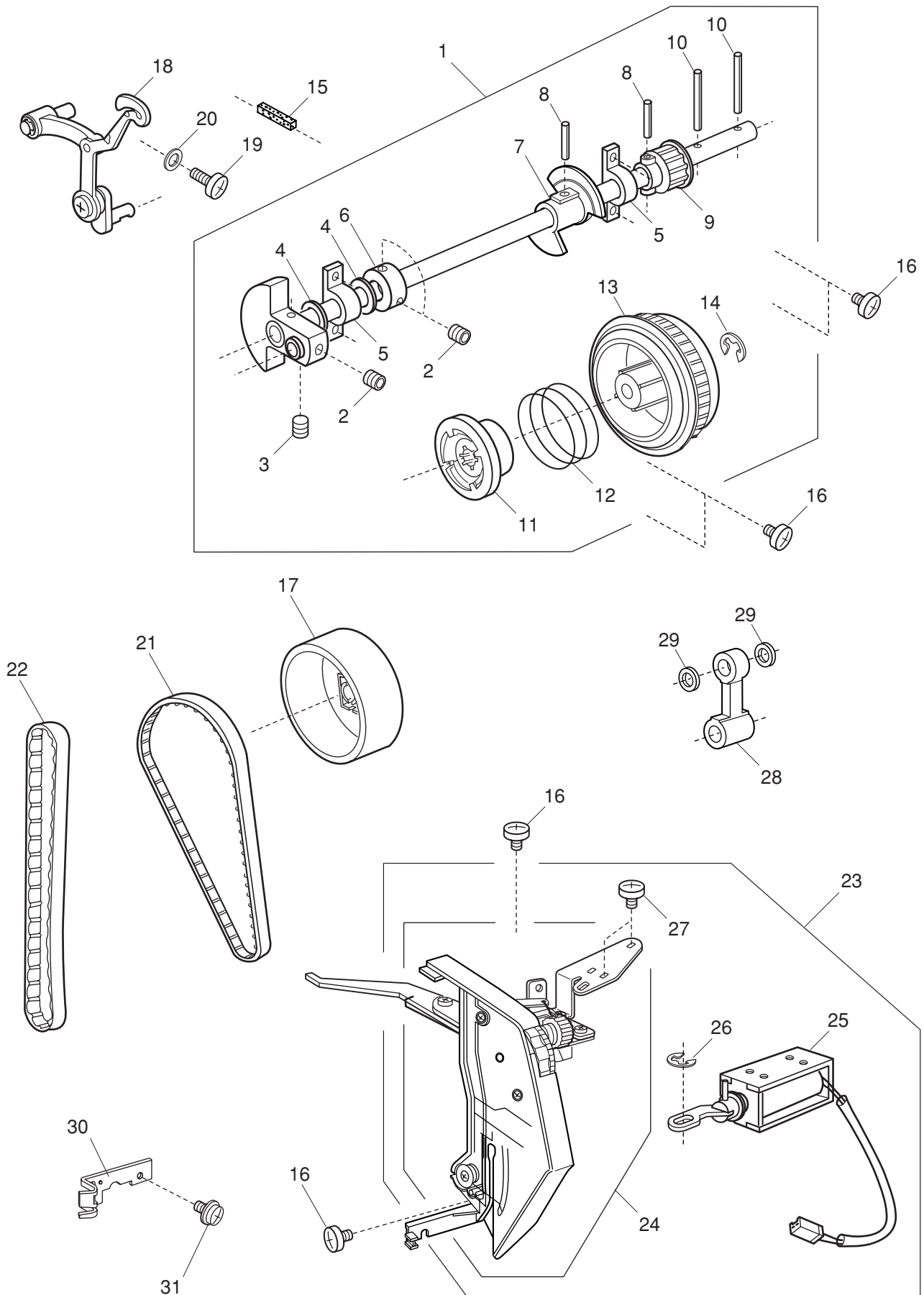


PARTS LIST

MODEL : 4120QDC

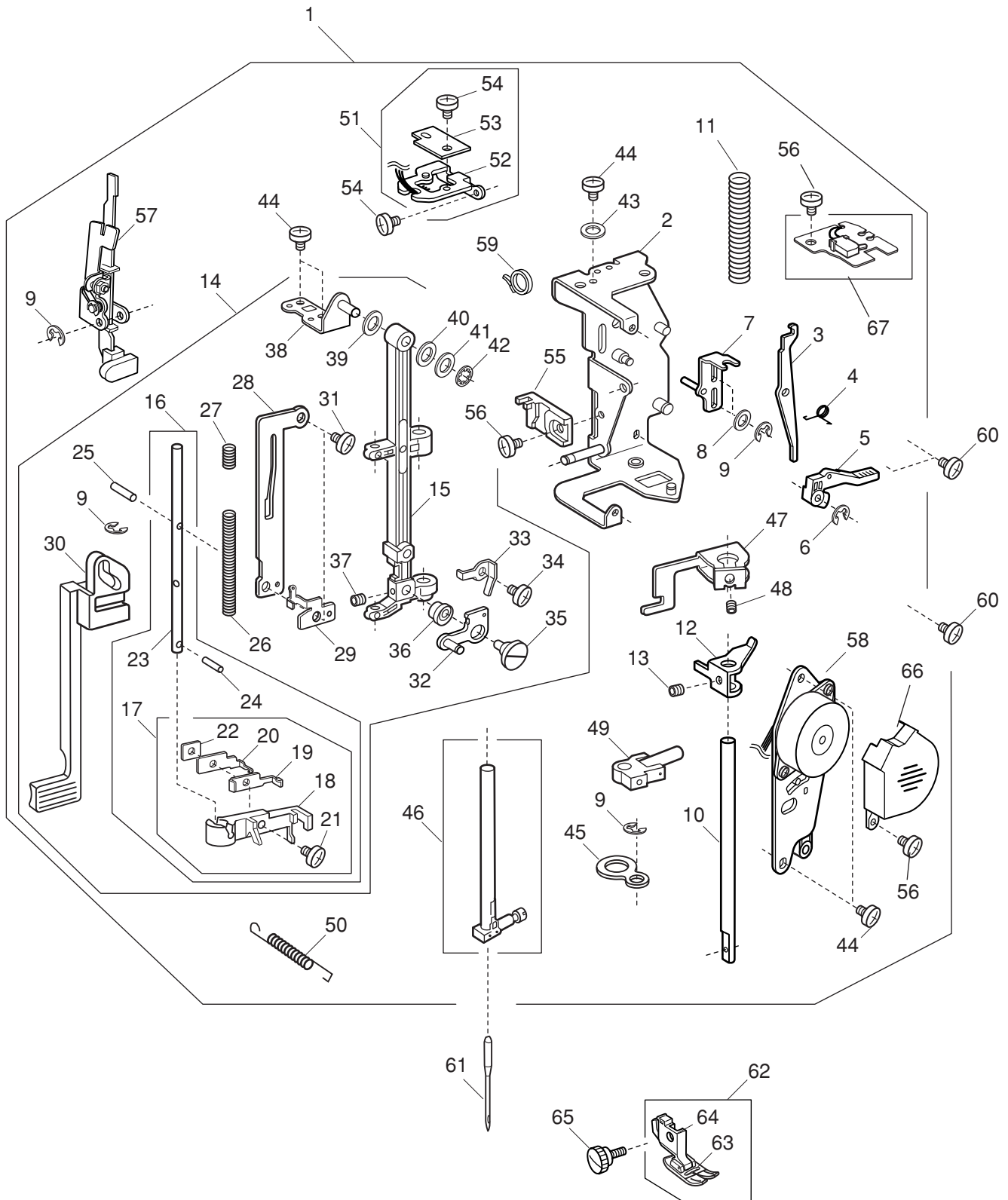
PARTS LIST



PARTS LIST

KEY NO.	PARTS NO.	DESCRIPTION
1	808601005	Upper shaft (unit)
2	000111201	Hexagonal socket screw 4x4
3	000112800	Hexagonal socket screw 4x6
4	000036201	Washer FT80
5	508054008	Shaft fixing metal
6	820166001	Lower shaft ring
7	808003001	Upper shaft shielding plate
8	000004200	Spring pin 3x18
9	508021006	Upper shaft gear
10	000024206	Spring pin 3x30
11	502064003	Clutch ring
12	661024007	Clutch spring
13	508055009	Belt wheel
14	000002806	Snap ring E-6
15	731312005	Felt
16	000081005	Setscrew 4x8
17	508056000	Handwheel
18	508634101	Thread take-up lever (unit)
19	000103509	Setscrew 4x10
20	000072302	Washer 4
21	808021005	Timing belt
22	808037004	Belt
23	808616106	Thread tension (unit)
24	808501004	Thread tension (unit)
25	808604008	Solenoid (unit)
26	000002105	Snap ring E-3
27	000101105	Setscrew 3x4
28	808005003	Needle bar crank rod
29	000036005	Washer FT60
30	809023000	Face plate spring supporter
31	000114709	Setscrew TP 3x6

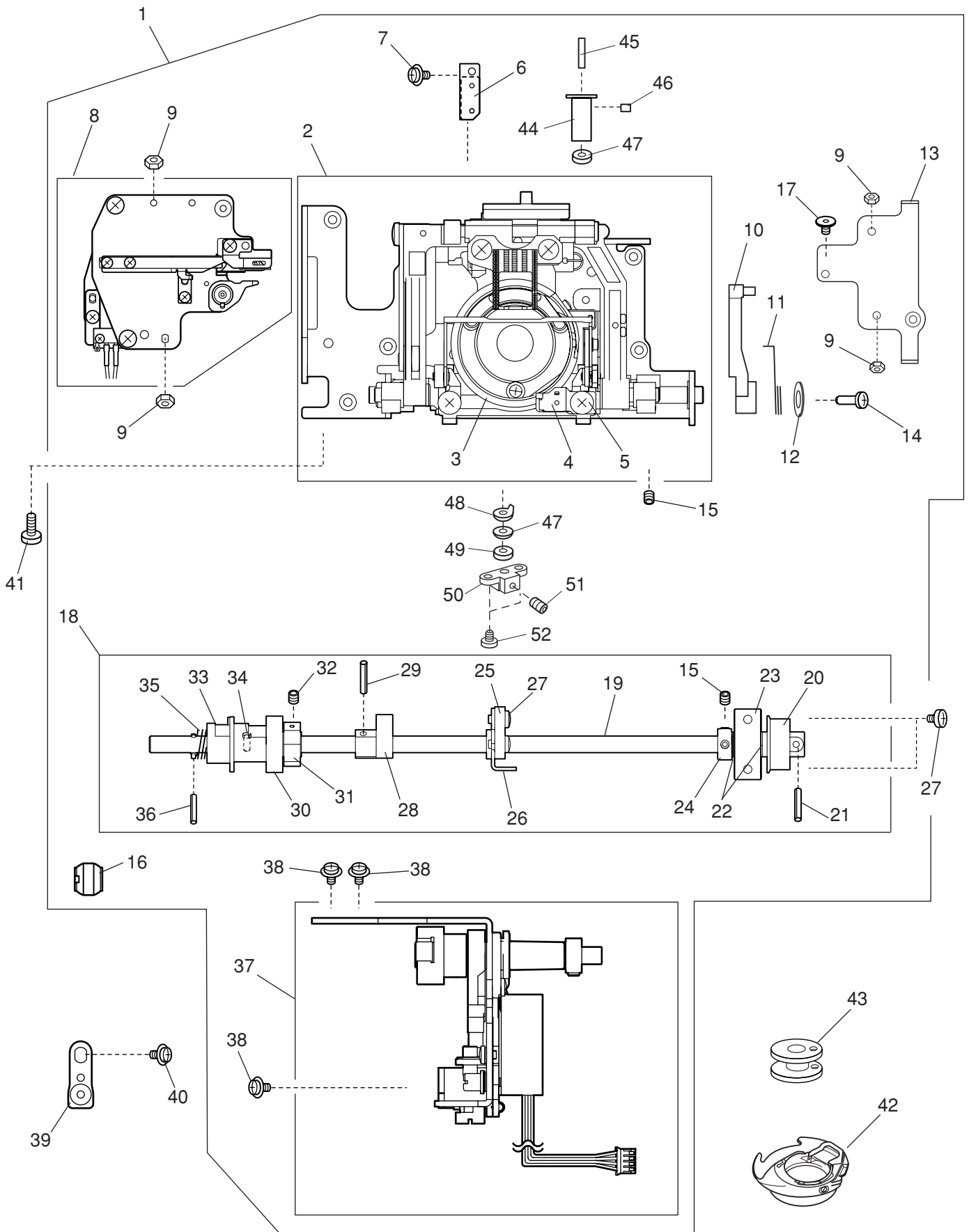
PARTS LIST



PARTS LIST

KEY NO.	PARTS NO.	DESCRIPTION
1	808640202	Presser bar base plate (unit)
2	808006107	Presser bar base plate
3	808007005	Thread tension release lever
4	503041007	Thread tension release spring
5	502024001	Presser foot lifter
6	000001609	Snap ring E-5
7	808076005	Presser bar spring adjusting plate
8	000072508	Washer 4
9	000002105	Snap ring E-3
10	508002104	Presser bar
11	808081003	Presser bar spring
12	508039007	Presser bar supporter
13	000111500	Hexagonal socket screw 4x8
14	808603007	Needle bar supporter (unit)
15	808008006	Needle bar supporter
16	842637006	Threader shaft (unit)
17	842638007	Threader plate (unit)
18	755064106	Threader guard plate
19	842088006	Thread retention plate
20	844095002	Threader plate
21	755096004	Setscrew
22	755095003	Nut
23	840036025	Threader shaft
24	000003508	Spring pin 2x8
25	000125105	Guide pin E-2x16-CH
26	842090001	Threader shaft spring
27	842096007	Threader lever spring
28	842091002	Threader guide plate
29	844036027	Threader lever plate
30	842092003	Threader lever
31	000078319	Setscrew 3x6
32	808015006	Zigzag width rod
33	827088009	Zigzag width rod spring
34	820373003	Setscrew 2x3
35	678084007	Eccentric pin
36	808074003	Washer
37	000111902	Hexagonal socket screw 3x4
38	808009007	Supporter adjusting plate
39	000036500	Washer FT60
40	673022002	Spring washer
41	000070609	Washer 6
42	000013903	Snap ring CS-5
43	000072003	Washer 5
44	000101404	Setscrew 4x6
45	808010001	Supporter guide plate
46	508607105	Needle bar (unit)
47	808011002	Threader position set plate
48	000177205	Hexagonal socket screw 3x6
49	508509003	Needle bar connecting stud (unit)
50	844038018	Needle bar supporter spring
51	808606103	Buttonhole sensor (unit)
52	845002005	Sensor set plate
53	843502602	Printed circuit board E1 (unit)
54	000101105	Setscrew 3x4
55	830057021	Buttonhole lever guide
56	000103808	Setscrew 3x5
57	843625004	Buttonhole lever (unit)
58	808605102	Zigzag width motor (unit)
59	000053008	Cord binder
60	000081005	Setscrew 4x8
61	102408089	Needle HA1-14
62	660509008	Presser foot (unit)
63	832523007	Zigzag foot
64	660806008	Presser foot holder
65	647112009	Setscrew
66	809019003	Motor cover
67	808611008	Presser foot lift switch (unit)

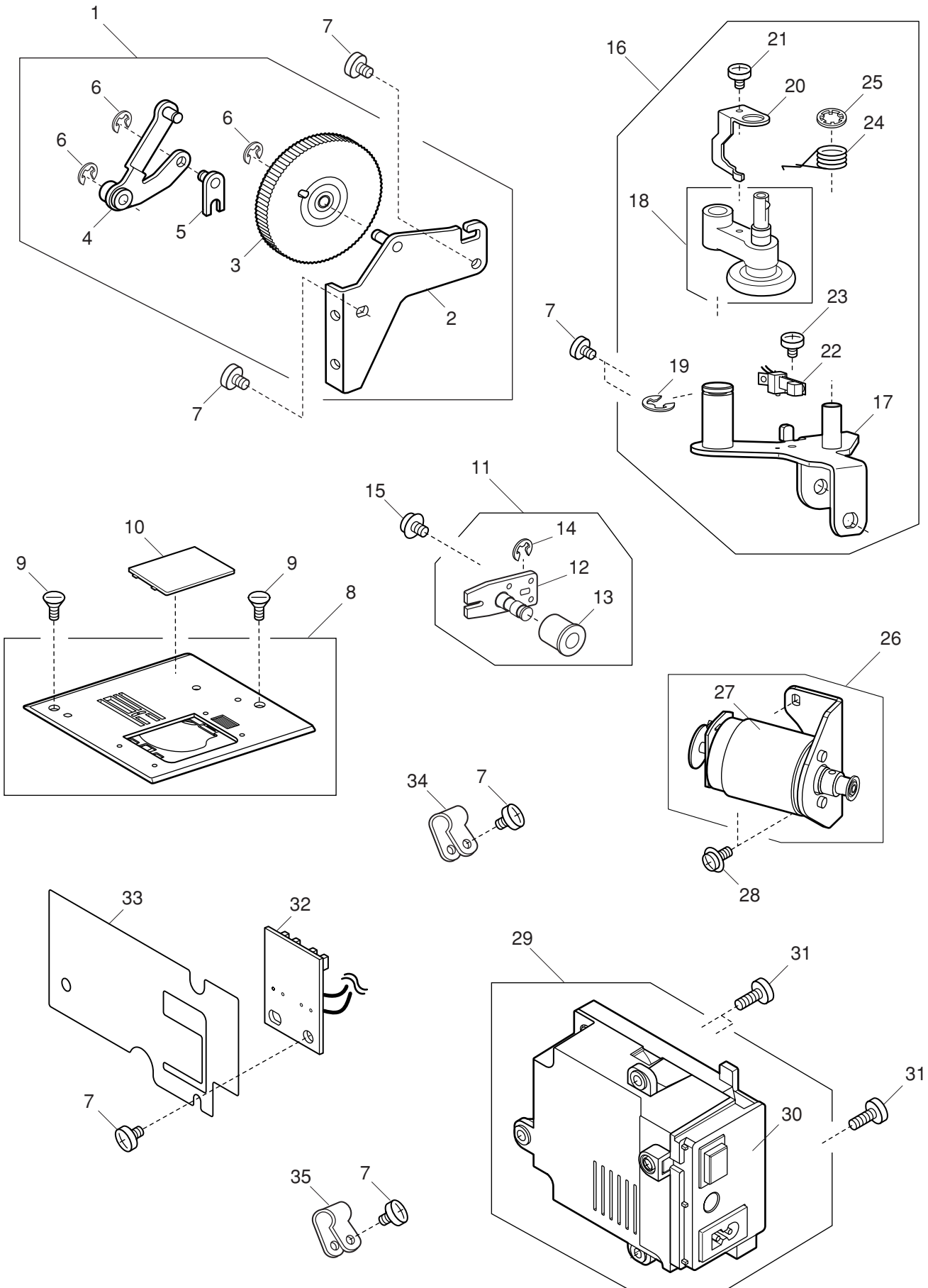
PARTS LIST



PARTS LIST

KEY NO.	PARTS NO.	DESCRIPTION
1	809603000	Hook race (whole unit)
2	809601008	Hook race (unit)
3	650623008	Hook body (unit)
4	846632003	Bobbin holder stopper (unit)
5	000164405	Setscrew 4x16
6	825515004	Feed base plate (unit)
7	825237009	Setscrew
8	808610100	Thread cutter (unit)
9	000063104	Nut 3-2-5.5
10	809013007	Feed fork
11	809015009	Feed fork spring
12	000071105	Washer
13	809021008	Needle plate set plate (right)
14	820172000	Pin
15	000111201	Hexagonal socket screw 4x4
16	732034003	Lower shaft bushing
17	000193104	Thin-head setscrew TP 3x4
18	809602009	Lower shaft (unit)
19	808027207	Lower shaft
20	508021006	Upper shaft gear
21	000004200	Spring pin 3x18
22	000038502	Washer
23	508054008	Shaft fixing metal
24	820166001	Lower shaft ring
25	809017001	Lower shaft supporter
26	809016000	Lower shaft supporter plate
27	000081005	Setscrew 4x8
28	809014008	Feed cam
29	000005407	Spring pin 3x12
30	808110002	Lower gear
31	508020005	Ring
32	000111108	Hexagonal socket screw 4x6
33	846103000	Feed lifting cam
34	820161006	Feed lifting pin
35	808075004	Feed lifting cam spring
36	000022802	Spring pin 2x12
37	809607004	Feed motor (unit)
38	000115205	Setscrew TP 4x6
39	809042005	Lower shaft bushing set plate
40	000115607	Setscrew TP 4x8
41	000101703	Setscrew 4x12
42	846652009	Bobbin holder (unit)
43	102261103	Bobbin
44	820123006	Hook race shaft
45	820124007	Hook shaft oil wick (1)
46	820125008	Hook shaft oil wick (2)
47	000038409	Washer
48	627192001	Washer
49	625102008	Washer
50	508072002	Hook race shaft base
51	000111304	Hexagonal socket screw 5x5
52	000103705	Setscrew 4x5

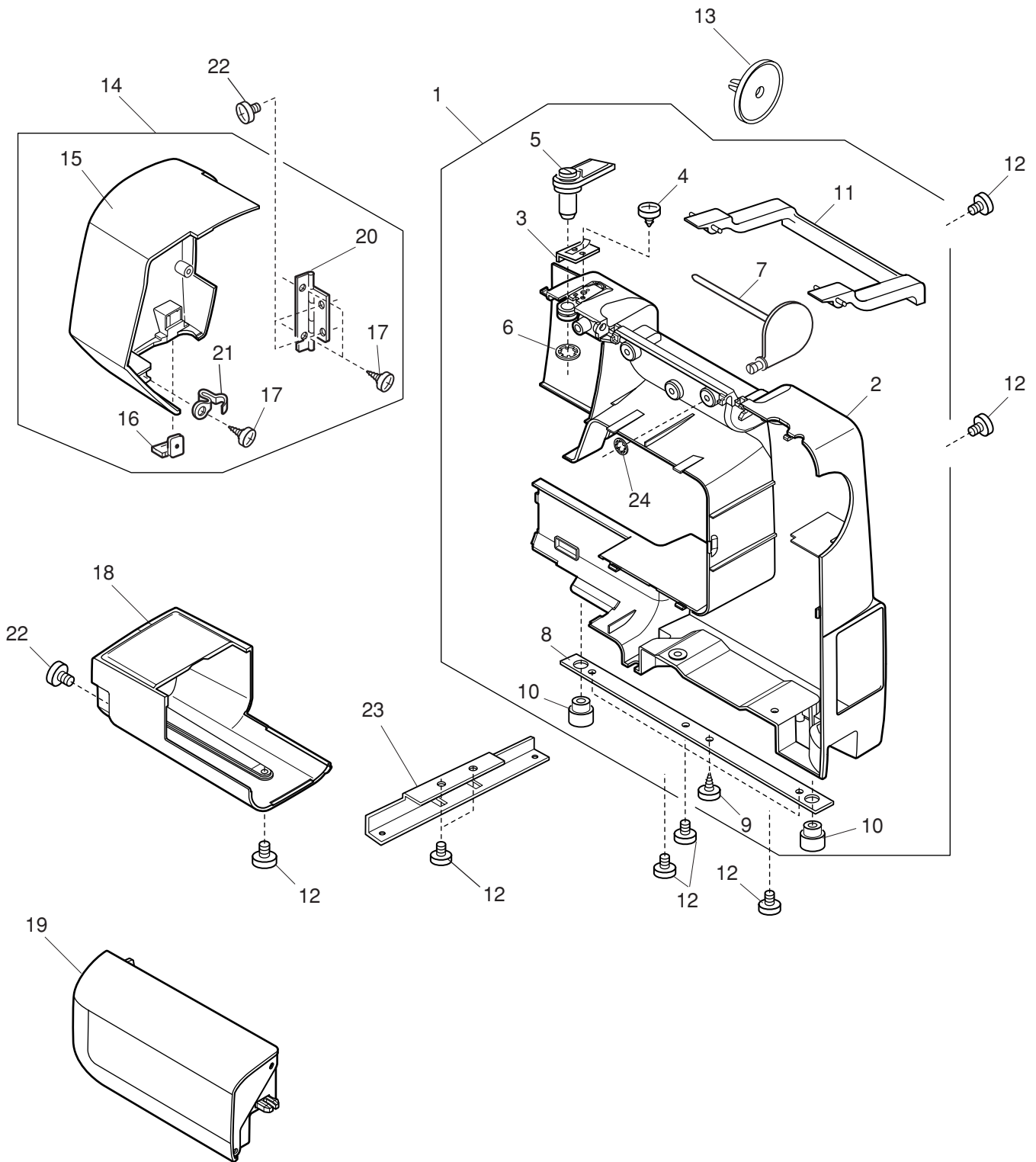
PARTS LIST



PARTS LIST

KEY NO.	PARTS NO.	DESCRIPTION
1	809608005	Presser foot pressure adjustment (unit)
2	809018002	Presser foot pressure adjusting set plate
3	808078203	Presser foot pressure dial
4	808079008	Adjusting arm 1
5	808080002	Adjusting arm 2
6	000002105	Snap ring E-3
7	000081005	Setscrew 4x8
8	860544300	Needle plate (unit)
9	681009101	Setscrew
10	846271103	Hook cover plate
11	808614001	Idler (unit)
12	808038005	Idler set plate
13	625217100	Idler
14	000002806	Snap ring E-6
15	000115607	Setscrew TP 4x8
16	808615002	Bobbin winder (unit)
17	808039006	Bobbin winder set plate
18	508507001	Bobbin winder arm (unit)
19	000001609	Snap ring E-5
20	508111004	Clutch lever
21	000120203	Setscrew 3x8 (B)
22	856512100	Switch (unit)
23	000081706	Setscrew 2.5x5
24	808040000	Spring
25	000013903	Snap ring CS-5
26	808617004	DC motor (unit)
27	808502005	DC motor (unit)
28	000115700	Setscrew TP 4x10
29	808639208	Switching regulator (unit)
30	808525200	Switching regulator (unit)
31	000103509	Setscrew 4x10
32	808504007	Printed circuit board P (unit)
33	808093008	Cord guide
34	000188209	Nylon clip ACC-1.5
35	000188405	Nylon clip ACC-2

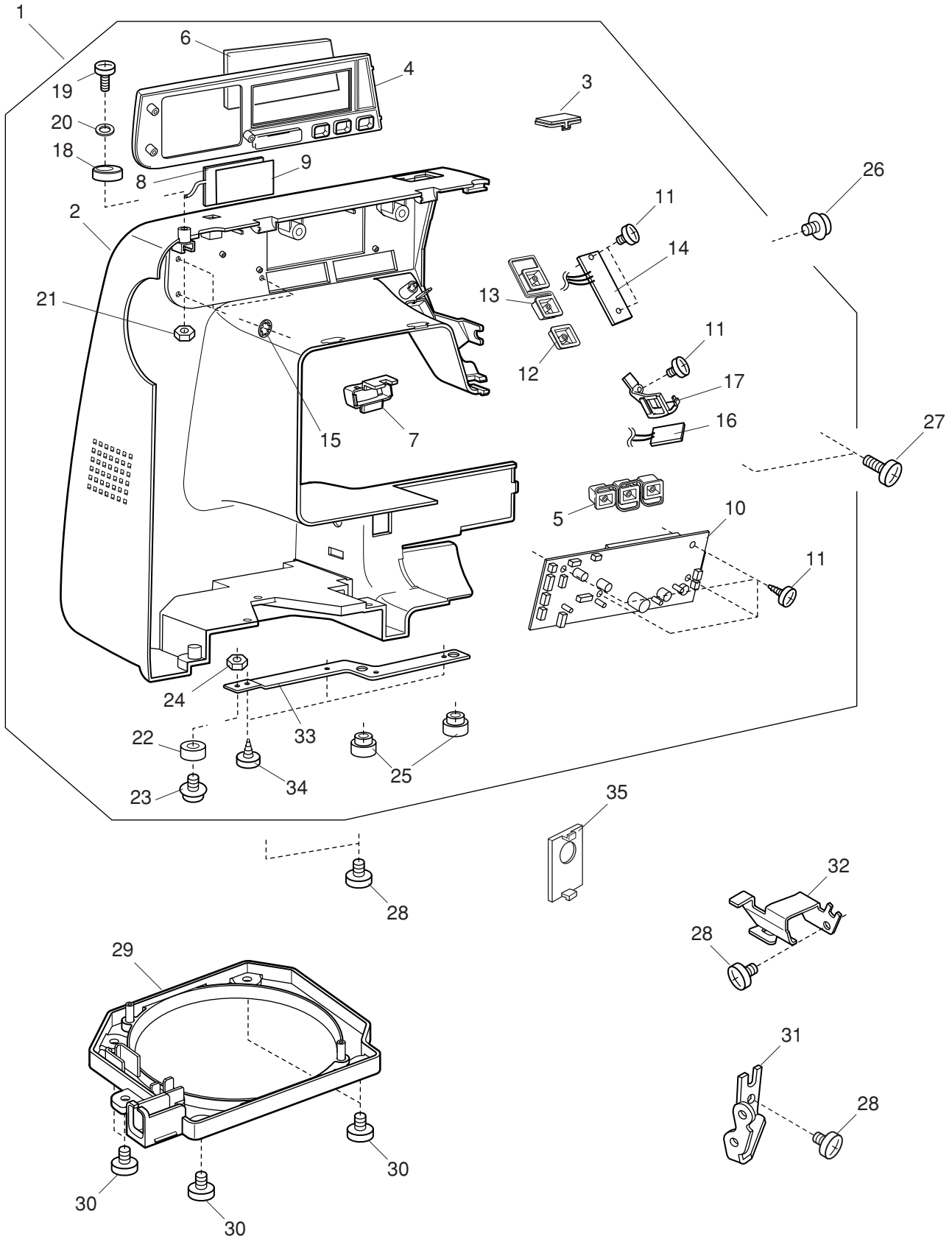
PARTS LIST



PARTS LIST

KEY NO.	PARTS NO.	DESCRIPTION
1	809604104	Rear cover (unit)
2	809025105	Rear cover
3	827503108	Top cover thread guide (unit)
4	000162001	Setscrew 2.6x5
5	650503403	Thread guide (unit)
6	000014409	Snap ring CS-8
7	809027004	Spool pin
8	809028005	Arm leg rear
9	000198604	Setscrew 4x14 (B)
10	735003002	Bed rubber cushion
11	809026003	Carrying handle
12	000081005	Setscrew 4x8
13	822020503	Spool holder
14	809606302	Face plate (unit)
15	809040209	Face plate
16	840602006	Thread cutter (unit)
17	000161206	Setscrew 3x10 (B)
18	808061007	Free arm cover
19	808508001	Extension table (unit)
20	851503103	Face plate hinge (unit)
21	731067002	Face plate spring
22	000081119	Setscrew 4x6
23	809024001	Arm sole set plate
24	000013800	Snap ring CS-6

PARTS LIST

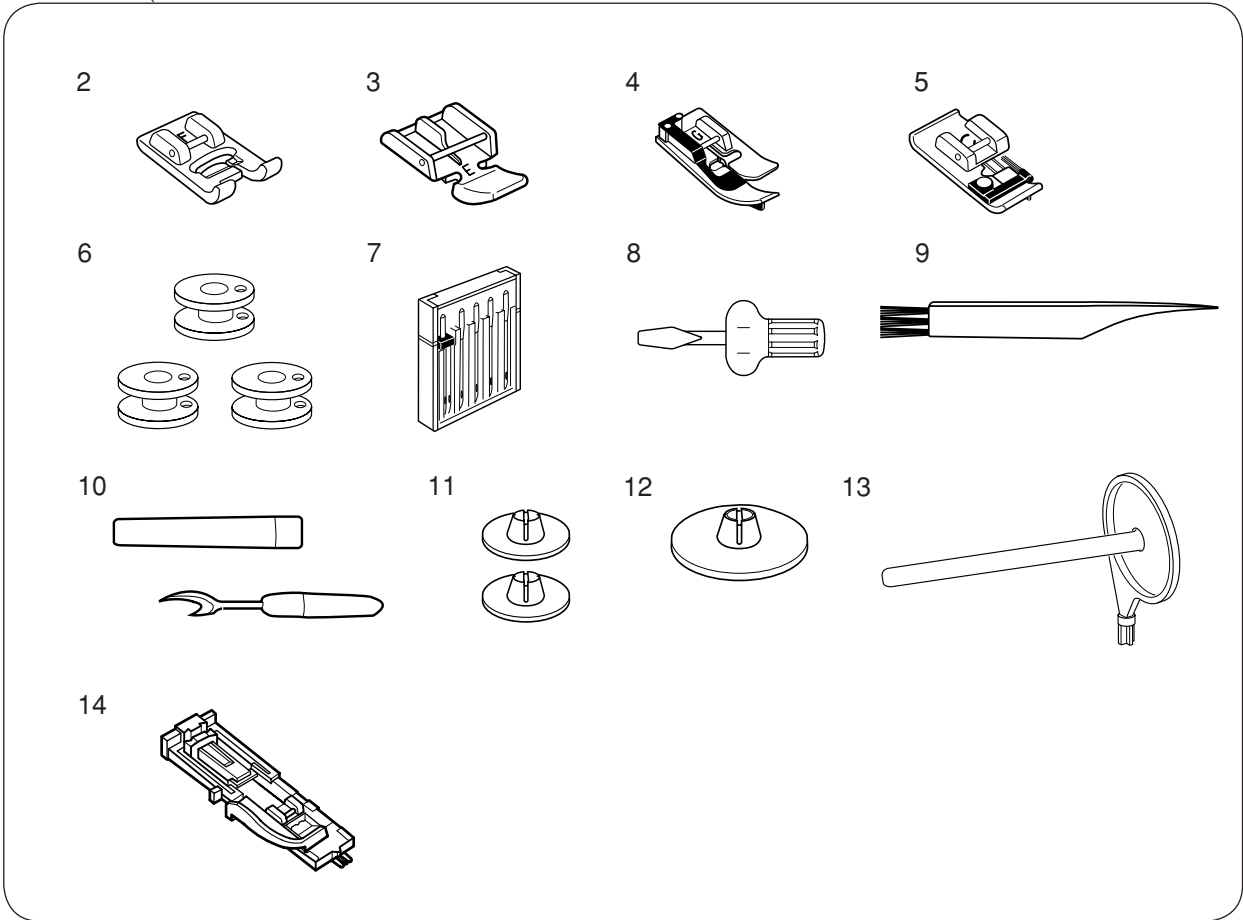


PARTS LIST

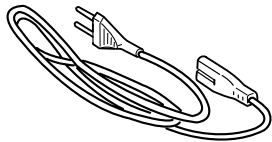
KEY NO.	PARTS NO.	DESCRIPTION
1	809605507	Front cover (unit)
2	809030608	Front cover
3	808103002	Front cover lid
4	809031229	Panel 1
5	809033128	Button 1
6	809032301	Panel 2
7	809036202	Slide volume
8	809501007	Touch panel (unit)
9	809043109	Touch Panel seat
10	809503102	Printed circuit board A (unit)
11	000120203	Setscrew 3x8 (B)
12	809035120	Start/stop button
13	809034129	Button 2
14	809502008	Printed circuit board F (unit)
15	000140007	Snap ring CS-4
16	858511105	Printed circuit board L (unit)
17	808118000	Lamp holder 2
18	735016307	Bobbin winder stopper
19	000101828	Setscrew 4x16
20	000071013	Washer
21	000061205	Nut 4-3-7
22	639005003	Rubber foot
23	000114802	Setscrew TP 4x12
24	000160102	Adjustable lock nut 4
25	735003002	Bed rubber cushion
26	000115205	Setscrew TP 4x6
27	000160401	Setscrew 4x16 (B)
28	000081005	Setscrew 4x8
29	808059105	Bed cover
30	000149312	Setscrew 3x8
31	639080002	Front cover set plate
32	808016007	Arm thread guide
33	809038008	Arm sole front
34	000198604	Setscrew 4x14 (B)
35	809039009	Cap

PARTS LIST

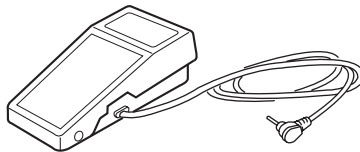
1



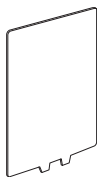
15



16



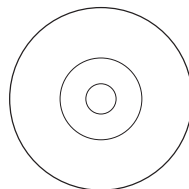
17



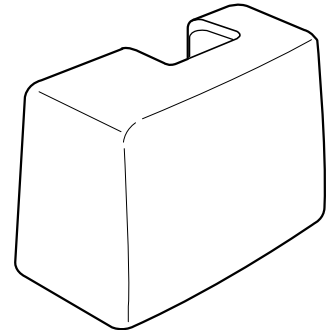
19



20



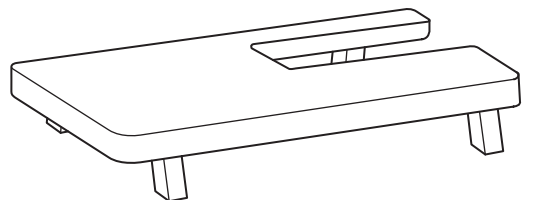
21



18



22



PARTS LIST

KEY NO.	PARTS NO.	DESCRIPTION
1	809870206	Standard accessories (unit)
2	822804118	Satin foot (F)
3	829801002	Zipper foot (E)
4	825817009	Blind hem foot (G)
5	822801001	Overedge foot (C)
6	102261103	Bobbin
7	820827007	Assorted needle set
8	820832005	Screwdriver
9	802424004	Lint brush
10	647808009	Seam ripper (Buttonhole opener)
11	822019509	Spool holder (small)
12	822020503	Spool holder
13	809041004	Spool pin
14	753801004	Buttonhole foot (R)
15	830335004	Power supply cord
16	C-1036	Foot control
17	809801206	Stitch chart
18	809809008	Stitch chart base
19	809800146	Instruction book
20	809808007	Instructional DVD
21	404701002	Hard cover
22	808401003	Large extension table