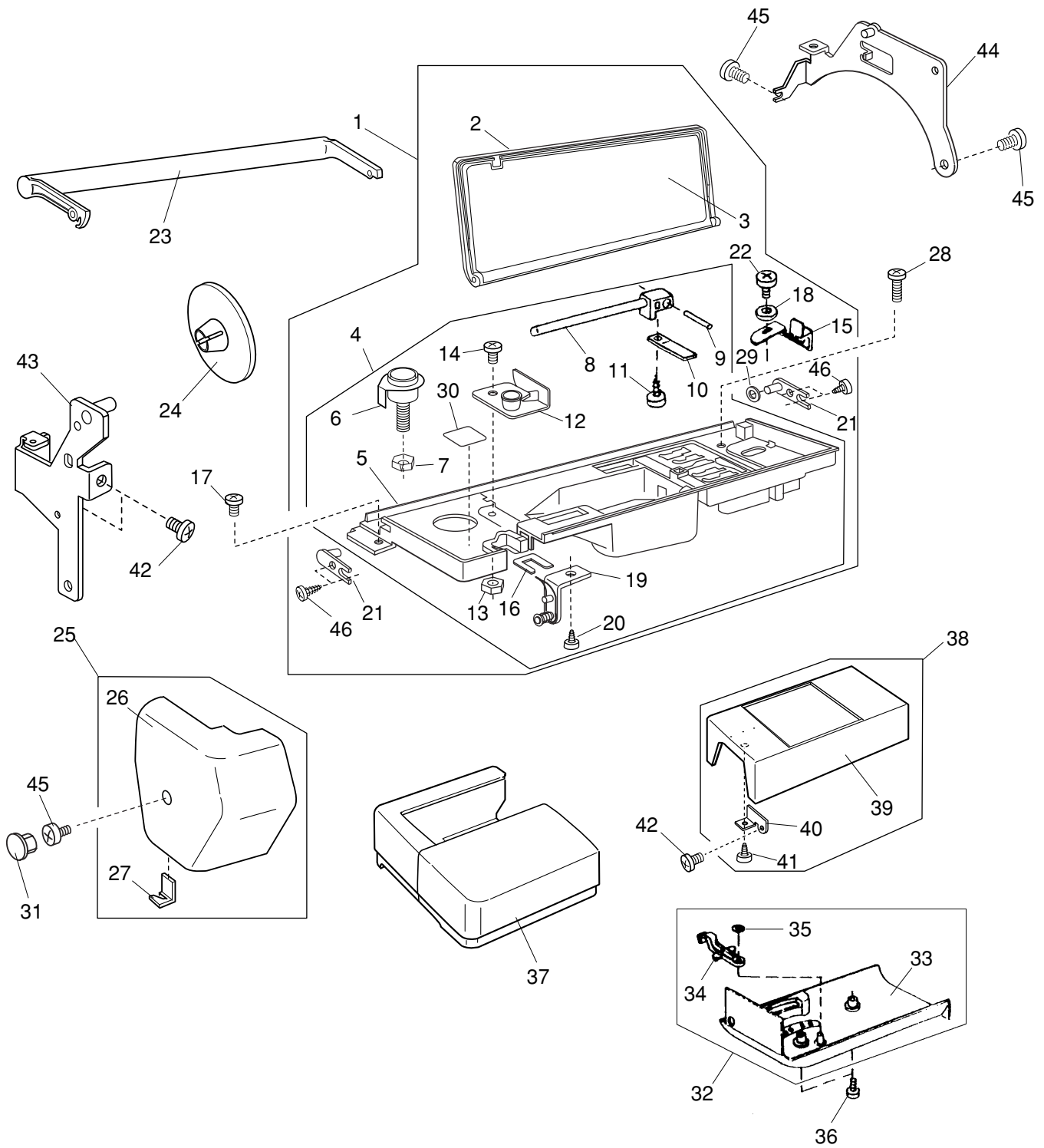


PARTS LIST
MC5900QC

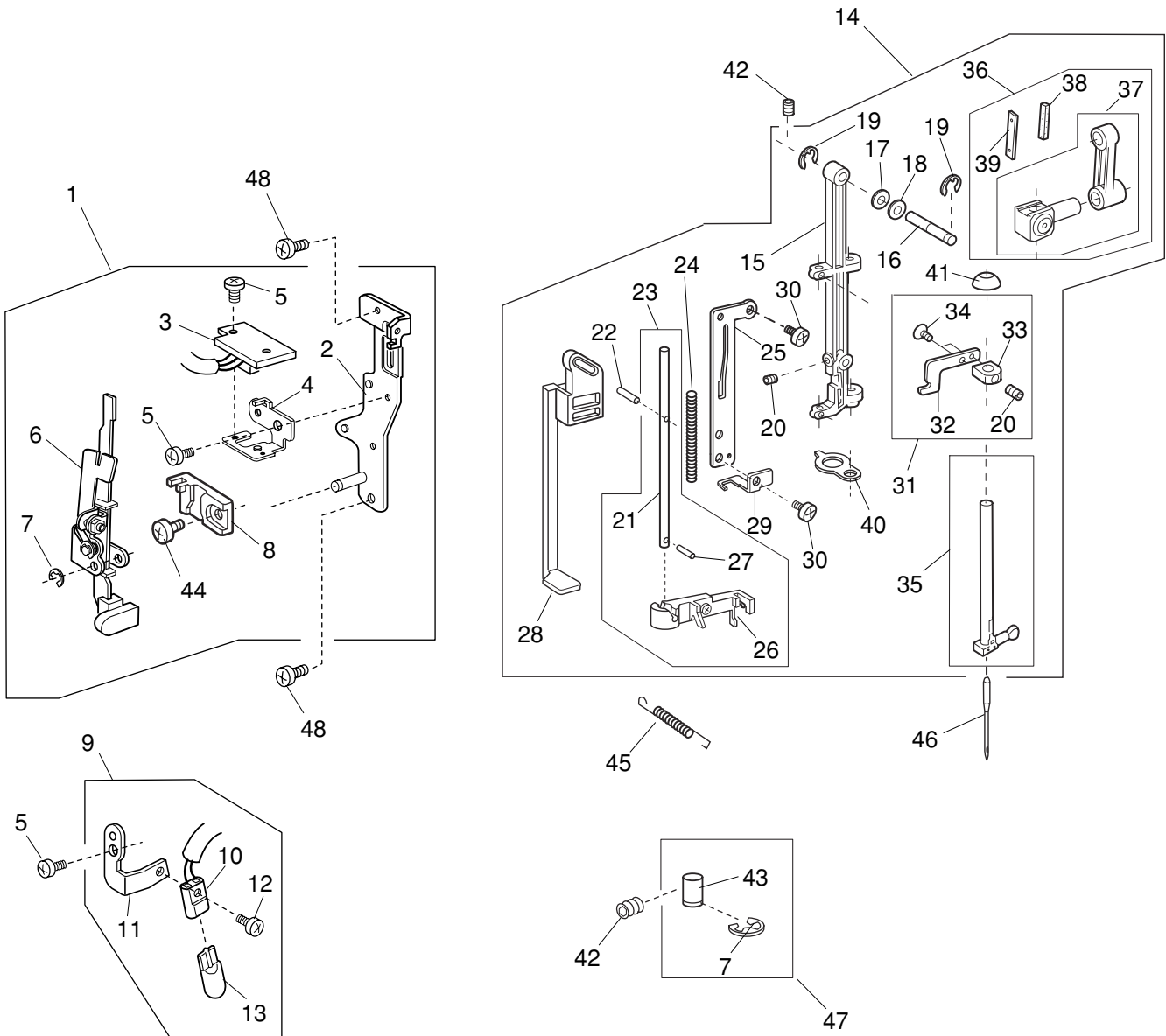
PART LIST



PART LIST

NO.	PART NUMBER	DESCRIPTION
1	847601006	TOP COVER (UNIT)
2	847602007	TOP COVER (UNIT)
3	847005004	STITCH CHART
4	847603008	FOOT COMPARTMENT (UNIT)
5	847006005	FOOT COMPARTMENT
6	730501022	THREAD GUIDE (UNIT)
7	000160102	ADJUSTABLE LOCK NUT 4
8	822016609	SPOOL PIN
9	822017002	SPOOL PIN SHAFT
10	822018003	SPOOL PIN SPRING
11	000107318	SETSCREW 3 X 8B
12	847507001	TOP COVER THREAD GUIDE (UNIT)
13	000062701	NUT
14	693093006	SETSCREW
15	503144001	BOBBIN WINDLE STOPPER
16	847036004	FELT
17	000078342	SETSCREW 3 X 6
18	000070126	WASHER 3
19	849611005	THREAD GUIDE PLATE (UNIT)
20	000161701	SETSCREW 2.3 X 5B
21	830013003	TOP COVER HINGE
22	000078320	SETSCREW 3 X 6
23	847007006	CARRYING HANDLE
24	822020503	SPOOL HOLDER (LARGE)
25	847604009	FACE PLATE (UNIT)
26	847010105	FACE PLATE
27	840602006	THREAD CUTTER (UNIT)
28	000080901	SETSCREW 4 X 25
29	830190005	WASHER
30	847033001	STICKER
31	653006101	CAP
32	827602108	BED COVER (UNIT)
33	827004104	BED COVER
34	753005000	FEED DOG DROP LEVER
35	000013903	SNAP RING CS-5
36	000101703	SETSCREW 4 X 12
37	847504008	EXTENSION TABLE (UNIT)
38	659601007	FREE ARM COVER (UNIT)
39	659001001	FREE ARM COVER
40	756004008	FREE ARM COVER FIXING PLATE
41	000120203	SETSCREW 3 X 8B
42	000101404	SETSCREW 4 X 6
43	847008007	CARRYING HANDLE BASE PLATE (FRONT)
44	847009008	CARRYING HANDLE BASE PLATE (REAR)
45	000081005	SETSCREW 4 X 8
46	000120214	SETSCREW 3 X 8B

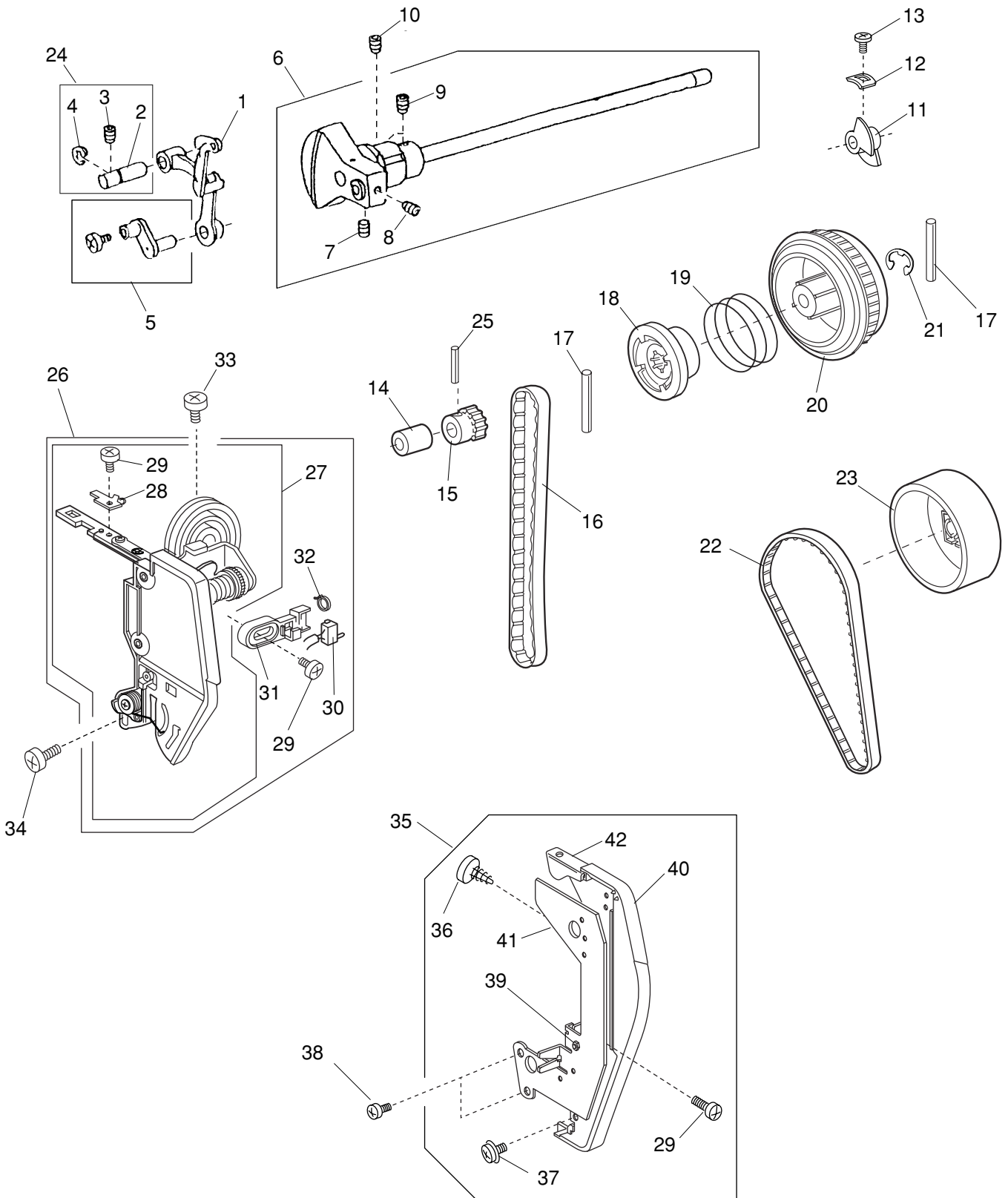
PART LIST



PART LIST

NO.	PART NUMBER	DESCRIPTION
1	847609004	FRONT BRACKET (UNIT)
2	847030008	FRONT BRACKET
3	843502107	PRINTED CIRCUIT BOARD E1 (UNIT)
4	847040001	BUTTONHOLE SENSOR FIXING PLATE
5	000101105	SETSCREW 3 X 4
6	843625107	BUTTONHOLE LEVER (UNIT)
7	000002105	SNAP RING E-3
8	830057010	BUTTONHOLE LEVER GUIDE
9	847610008	LAMP SOCKET (UNIT)
10	843508206	LAMP SOCKET (UNIT)
11	843007004	LAMP FIXING PLATE
12	000102900	SETSCREW 2 X 8
13	000026002	WEDGE BASE LAMP 12 V 5 W
14	840647106	NEEDLE BAR SUPPORTER (UNIT)
15	827026010	NEEDLE BAR SUPPORTER
16	840137005	NEEDLE BAR SUPPORTER PIN
17	673022002	WASHER
18	000070609	WASHER 6
19	000002507	SNAP RING E-4
20	000111902	HEXAGONAL SOCKET SCREW 3 X 4
21	840036003	NEEDLE THREADER BAR
22	000125105	PIN
23	840646002	NEEDLE THREADER BAR (UNIT)
24	840035002	NEEDLE THREADER SPRING
25	840033000	NEEDLE THREADER GUIDE PLATE
26	755643002	NEEDLE THREADER PLATE (UNIT)
27	000003508	PIN 2 X 8
28	840034001	NEEDLE THREADER LEVER
29	840037004	NEEDLE THREADER LEVER SETTING PLATE
30	000078319	SETSCREW 3 X 6
31	734625003	NEEDLE THREADER POSITIONING PLATE (UNIT)
32	734101008	NEEDLE THREADER POSITIONING PLATE
33	734102009	NEEDLE THREADER POSITIONING BASE
34	000097602	SETSCREW 2 X 4
35	653503103	NEEDLE BAR (UNIT)
36	653612003	NEEDLE BAR CONNECTING STUD (UNIT)
37	653504001	NEEDLE BAR CONNECTING STUD (UNIT)
38	650040005	FELT
39	650041006	FELT SETTING LEAF
40	829027006	NEEDLE BAR SUPPORTER GUIDE PLATE
41	827098002	WASHER
42	000111201	HEXAGONAL SOCKET SCREW 4 X 4
43	827083004	NEEDLE BAR SUPPORTER GUIDE PLATE PIN
44	000103808	SETSCREW 3 X 5
45	827092006	NEEDLE BAR SUPPORTER SPRING
46	102408089	NEEDLE HA1-14
47	842625001	NEEDLE BAR SUPPORTER GUIDE PIN (UNIT)
48	000101404	SETSCREW 4 X 6

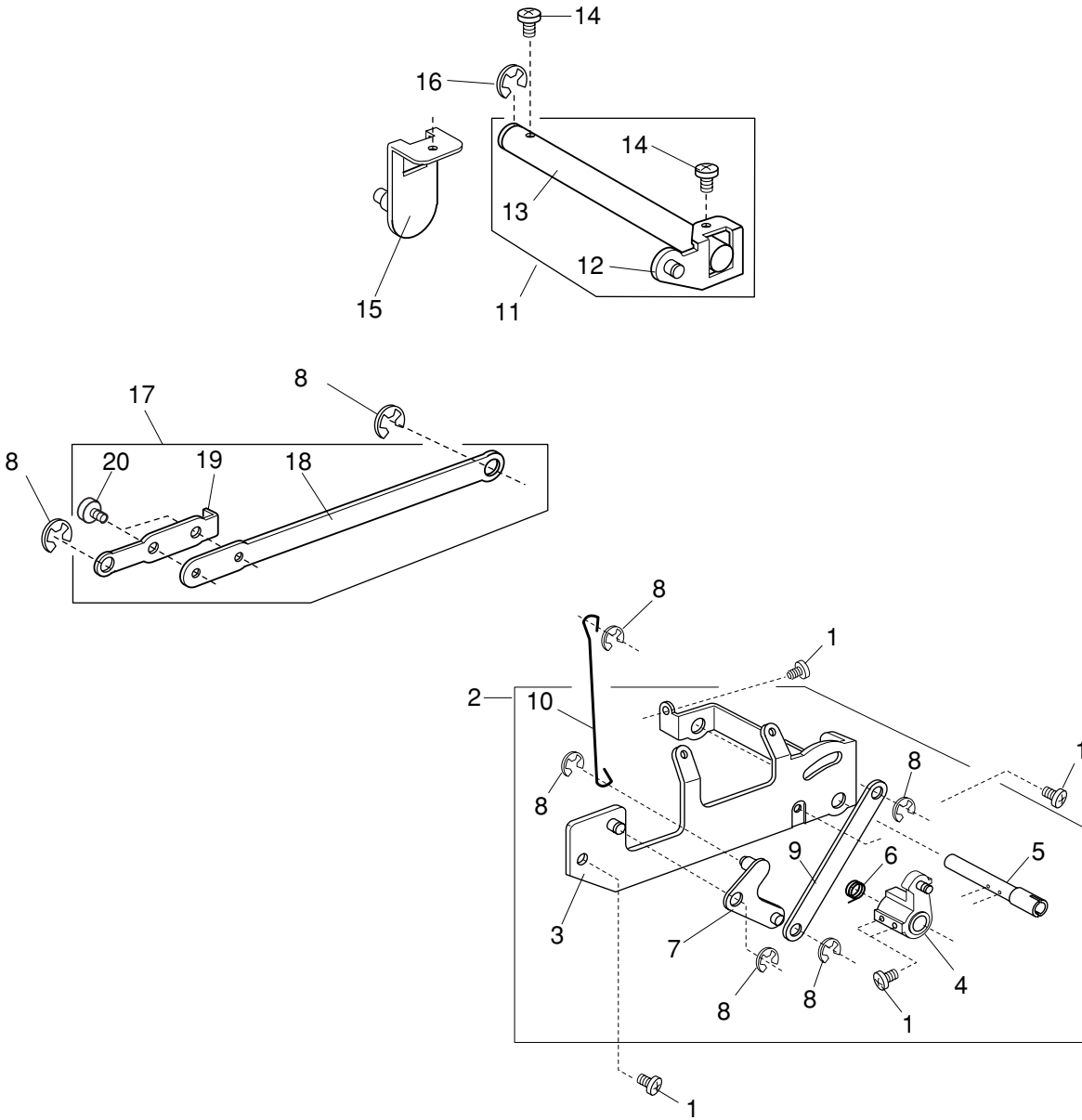
PART LIST



PART LIST

NO.	PART NUMBER	DESCRIPTION
1	820511108	THREAD TAKE-UP LEVER (UNIT)
2	650062003	THREAD TAKE-UP LEVER SUPPORT PIN
3	000111201	HEXAGONAL SOCKET SCREW 4 X 4
4	000001702	SNAP RING E-6
5	652512009	NEEDLE BAR CRANK PIN (UNIT)
6	848613004	UPPER SHAFT (UNIT)
7	000111706	HEXAGONAL SOCKET SCREW 5 X 8
8	000110901	HEXAGONAL SOCKET SCREW 5 X 4
9	000111304	HEXAGONAL SOCKET SCREW 5 X 5
10	000111304	HEXAGONAL SOCKET SCREW 5 X 5
11	830095010	SHIELD PLATE
12	820102009	WASHER
13	000081005	SETSCREW 4 X 8
14	673062004	UPPER SHAFT BUSHING (REAR)
15	756017004	UPPER SHAFT ADJUSTING WHEEL
16	650071005	TIMING BELT
17	000024206	SPRING PIN 3 X 30
18	502064003	CLUTCH RING
19	502065004	CLUTCH SPRING
20	844050016	BELT WHEEL
21	000030205	SNAP RING E-8
22	653139012	TIMING BELT
23	844077008	HANDWHEEL
24	650626001	THREAD TAKE-UP LEVER SUPPORT PIN (UNIT)
25	000020501	SPRING PIN 3 X 22
26	847606001	THREAD TENSION (UNIT)
27	847505009	THREAD TENSION (UNIT)
28	849062005	SWITCH PLATE
29	000103808	SETSCREW 3 X 5
30	753507007	BUTTONHOLE SELECT SWITCH (UNIT)
31	827100008	BUTTONHOLE SELECT SWITCH FIXING PLATE
32	000053008	CORD BINDER
33	000101404	SETSCREW 4 X 6
34	000101703	SETSCREW 4 X 12
35	847605000	THREAD TAKE-UP LEVER COVER (UNIT)
36	000120203	SETSCREW 3 X 8B
37	000115401	SETSCREW TP 3 X 4
38	000101507	SETSCREW 3.5 X 5
39	000061803	NUT 3-3-5.5
40	847017009	THREAD TAKE-UP LEVER COVER
41	847018000	THREAD TAKE-UP LEVER COVER BASE PLATE
42	847019001	THREAD TAKE-UP LEVER GUIDE PLATE

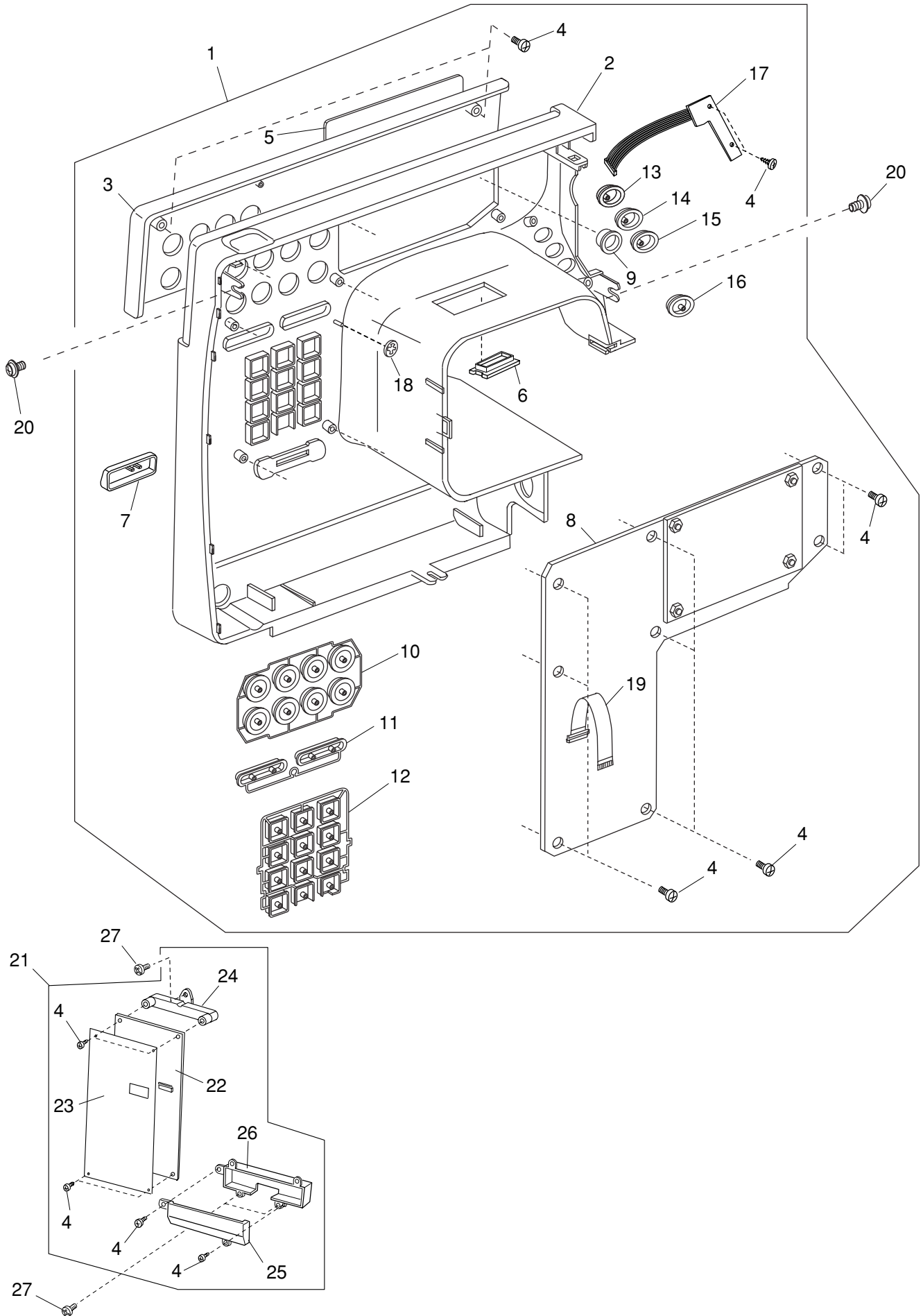
PART LIST



PART LIST

NO.	PART NUMBER	DESCRIPTION
1	000081005	SETSCREW 4 X 8
2	849601002	KNEE LIFTER LINK SUPPORTER PLATE (UNIT)
3	849004009	KNEE LIFTER LINK SUPPORTER PLATE
4	849005000	KNEE LIFTER LINK
5	849006001	KNEE LIFTER SHAFT
6	849007002	KNEE LIFTER SHAFT SPRING
7	849008003	KNEE LIFTER LINK SPRING
8	000002507	SNAP RING E-4
9	849009004	KNEE LIFTER LINK 2
10	849010008	KNEE LIFTER ROD 1
11	849618002	KNEE LIFTER LINK SHAFT (UNIT)
12	849011009	KNEE LIFTER LINK 5
13	849012000	KNEE LIFTER LINK SHAFT
14	000103509	SETSCREW 4 X 10
15	849013001	KNEE LIFTER LINK 4
16	000002909	SNAP RING E-7
17	849615009	KNEE LIFTER LINK (UNIT)
18	849014002	KNEE LIFTER LINK 7
19	849018006	KNEE LIFTER LINK 8
20	000101507	SETSCREW 3.5 X 5

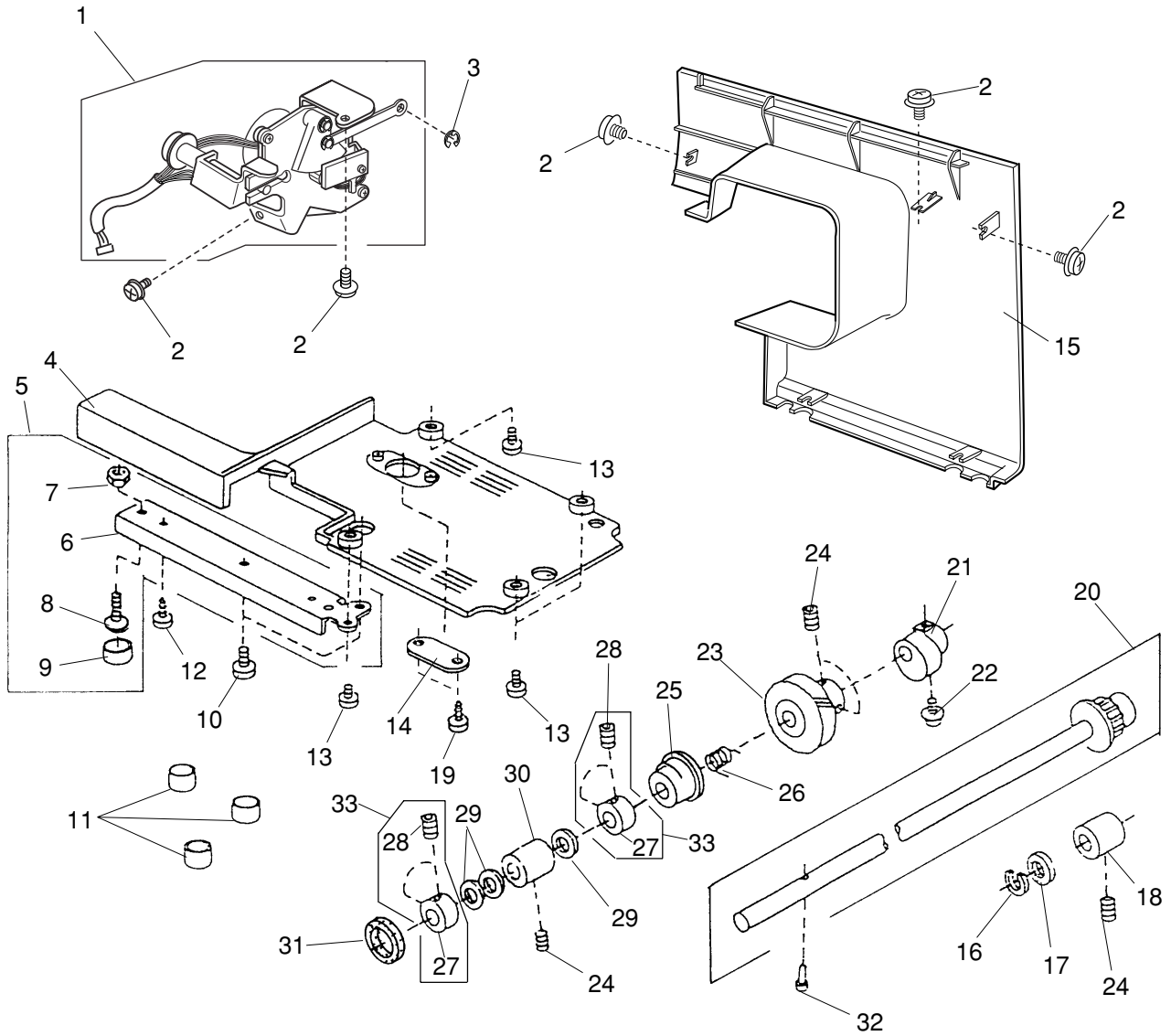
PART LIST



PART LIST

NO.	PART NUMBER	DESCRIPTION
1	847607002	FRONT COVER (UNIT)
2	847022203	FRONT COVER
3	847023101	PANEL
4	000120203	SETSCREW 3 X 8B
5	847024102	LED WINDOW
6	851056106	LAMP COVER
7	847029004	SPEED CONTROL LEVER
8	847501005	PRINTED CIRCUIT BOARD K
9	844066107	SCREEN BRIGHTNESS ADJUSTING DIAL
10	847026104	BUTTON 1
11	847027105	BUTTON 2
12	847028106	BUTTON 3
13	846008118	BUTTON 1
14	846008200	BUTTON 1
15	846008509	BUTTON 1
16	847025103	START/STOP BUTTON
17	847502006	PRINTED CIRCUIT BOARD F (UNIT)
18	000014306	SNAP RING CS-3
19	844512000	FLEXIBLE FLAT CABLE
20	000115205	SETSCREW TP 4 X 6
21	847608003	PRINTED CIRCUIT BOARD A (UNIT)
22	847503007	PRINTED CIRCUIT BOARD A (UNIT)
23	847034002	INSULATING PAPER
24	848014009	PRINTED CIRCUIT BOARD A FIXING BASE (UPPER)
25	846184005	PRINTED CIRCUIT BOARD A CASE
26	846185006	PRINTED CIRCUIT BOARD A CASE COVER
27	000081005	SETSCREW 4 X 8

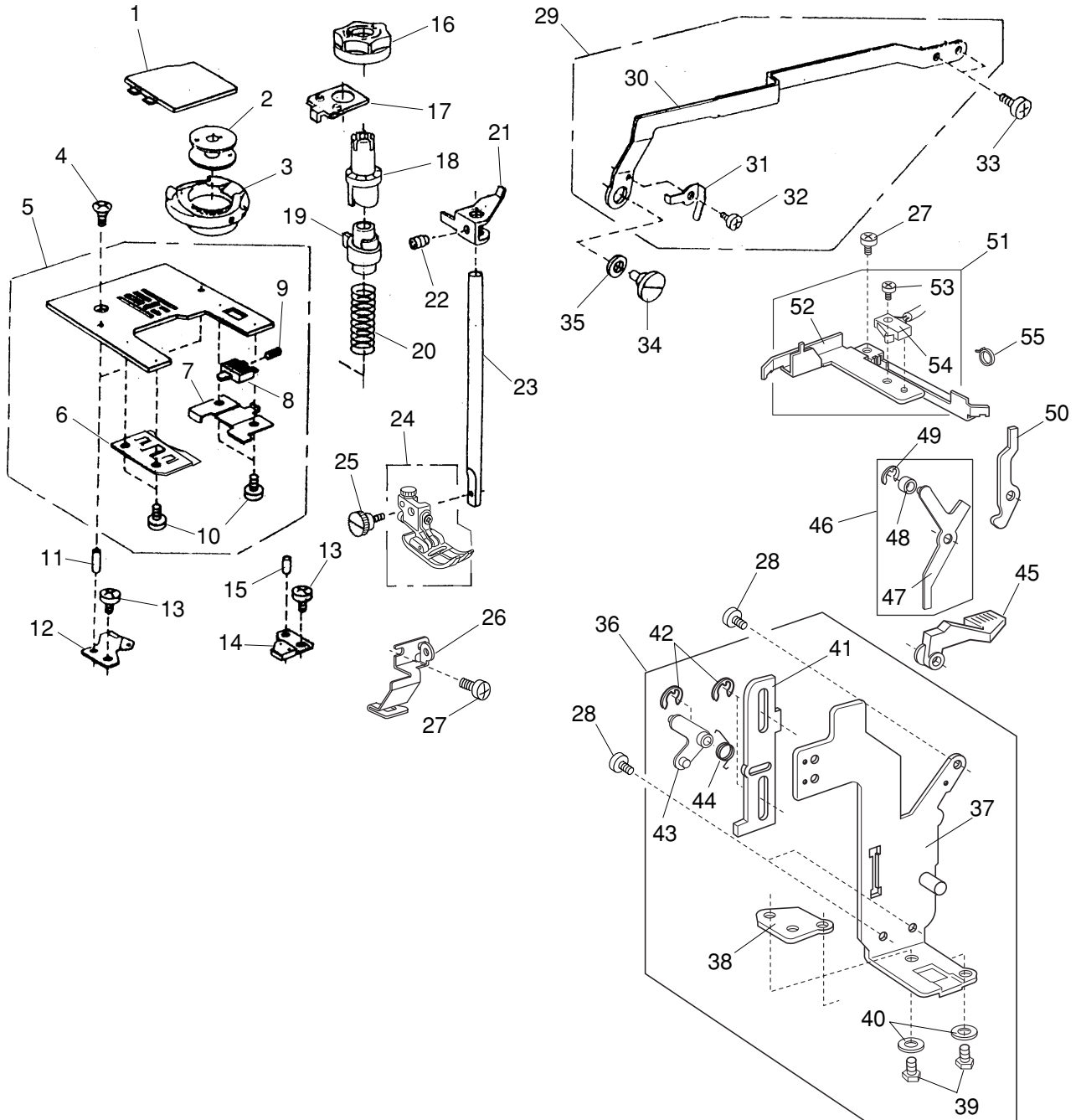
PART LIST



PART LIST

NO.	PART NUMBER	DESCRIPTION
1	844602008	FEED MOTOR (UNIT)
2	000115205	SETSCREW TP 4 X 6
3	000002105	SNAP RING E-3
4	827003000	BASE
5	827601107	FREE ARM LEG (UNIT)
6	827002102	FREE ARM LEG
7	000061412	NUT
8	000097901	SETSCREW 5 X 18
9	735002001	RUBBER FOOT
10	000066808	SETSCREW 6 X 14
11	647009002	BED RUBBER FOOT
12	000161206	SETSCREW 3 X 10B
13	000103509	SETSCREW 4 X 10
14	824058001	BASE COVER
15	849001109	REAR COVER
16	822112008	FELT HOLDER 1
17	822070003	FELT 1
18	650079003	LOWER SHAFT BUSHING (REAR)
19	000107318	SETSCREW 3 X 8B
20	827613009	LOWER SHAFT (UNIT)
21	823026111	FEED CAM
22	000149600	SETSCREW 3 X 14
23	650076000	LOWER SHAFT GEAR
24	000111304	HEXAGONAL SOCKET SCREW 5 X 5
25	753183025	FEED CAM
26	686035008	FEED CAM SPRING
27	820166001	RING
28	000111201	HEXAGONAL SOCKET SCREW 4 X 4
29	000038502	SOMALITE WAHSER
30	650078002	LOWER SHAFT BUSHING (FRONT)
31	735143005	FELT
32	820161006	FEED PIN
33	820672005	LOWER SHAFT RING (UNIT)

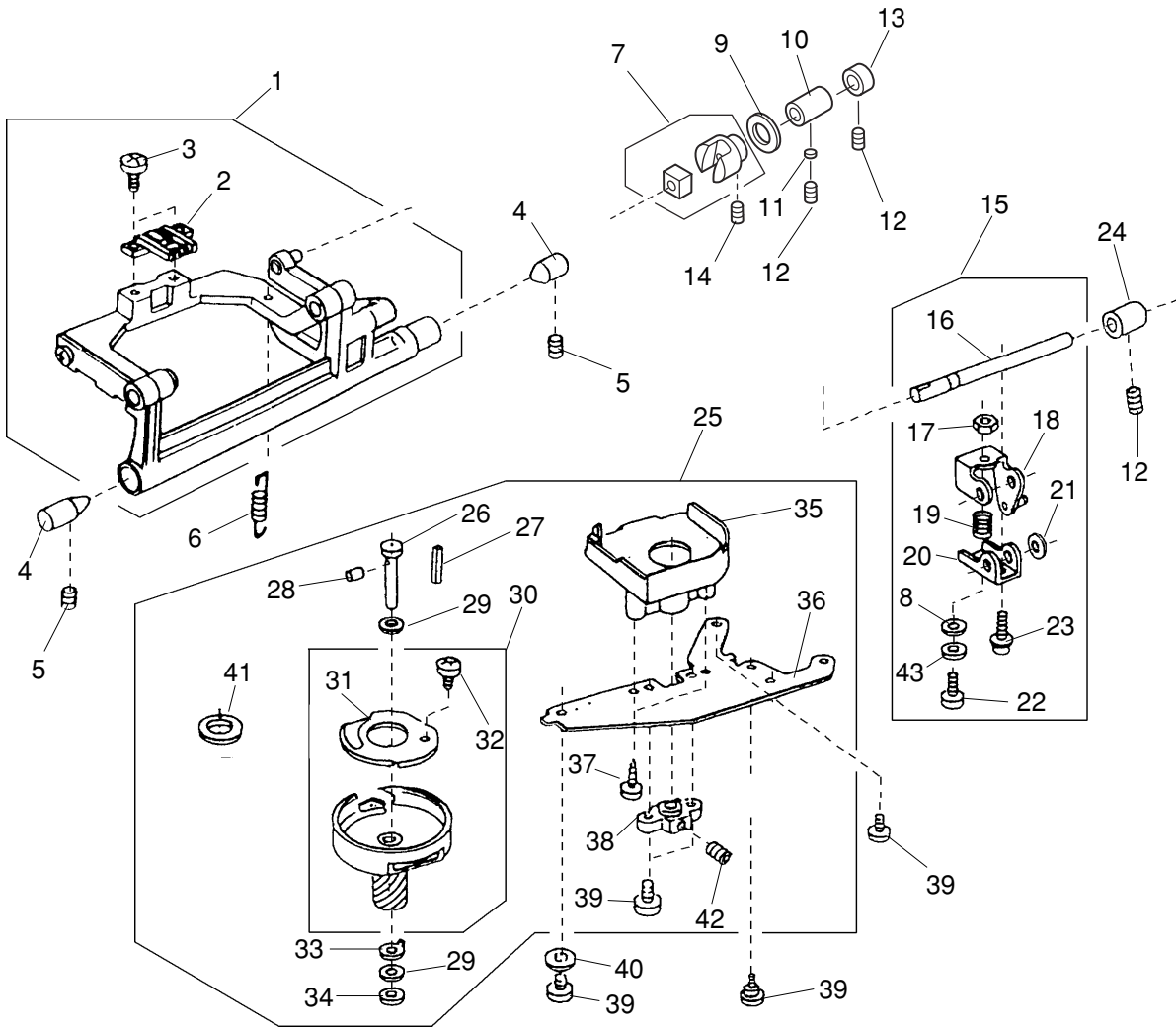
PART LIST



PART LIST

NO.	PART NUMBER	DESCRIPTION
1	750036012	HOOK COVER PLATE
2	102261000	BOBBIN
3	627569209	BOBBIN HOLDER (UNIT)
4	681009101	SETSCREW
5	756604303	NEEDLE PLATE (UNIT)
6	832235010	HOOK COVER PLATE HOLDER (LEFT)
7	825015010	HOOK COVER PLATE HOLDER (RIGHT)
8	825016000	HOOK COVER PLATE RELEASE BUTTON
9	825017001	HOOK COVER PLATE HOLDER SPRING
10	820374004	SETSCREW 2 X 2.3
11	000122504	PIN
12	827011001	BOBBIN HOLDER STOPPER
13	810220003	SETSCREW
14	627567001	BOBBIN HOLDER STOPPER (UNIT)
15	000122700	PIN
16	822065005	FOOT PRESSURE DIAL
17	840120005	FOOT PRESSURE DIAL SETTING PLATE
18	686027007	FOOT PRESSURE ADJUSTING CAM (1)
19	686028008	FOOT PRESSURE ADJUSTING CAM (2)
20	840129004	PRESSER FOOT SPRING
21	849051001	PRESSER BAR FIXING PLATE
22	000111500	HEXAGONAL SOCKET SCREW 4 X 8
23	827021004	PRESSER BAR
24	829515006	ZIGZAG FOOT (UNIT)
25	753199002	SETSCREW
26	847020005	ARM THREAD GUIDE
27	000101404	SETSCREW 4 X 6
28	000081005	SETSCREW 4 X 8
29	827622012	ZIGZAG ROD (UNIT)
30	827055018	ZIGZAG ROD
31	827088009	ZIGZAG ROD SPRING
32	820373003	SETSCREW 2 X 3
33	000078319	SETSCREW 3 X 6
34	678084007	ECCENTRIC PIN
35	653037008	WASHER
36	849606007	FRONT SET PANEL (UNIT)
37	848023104	FRONT SET PANEL
38	827082003	PRESSER FOOT POSITIONING PLATE
39	000066303	HEXAGONAL BOLT
40	000070908	WASHER 4
41	849025006	PRESSER BAR SUPPORTER LINK
42	000002507	SNAP RING E-4
43	849026007	KNEE LIFTER LINK 6
44	849063006	KNEE LIFTER LINK SPRING 2
45	849052105	PRESSER FOOT LIFTER
46	849614008	THREAD TENSION RELEASE LEVER (UNIT)
47	849027008	THREAD TENSION RELEASE LEVER 1
48	846210001	ROLLER
49	000002105	SNAP RING E-3
50	827023006	THREAD TENSION RELEASE LEVER (2)
51	849610004	PRESSER FOOT SENSOR (UNIT)
52	849028009	CORD GUIDE
53	000102900	SETSCREW 2 X 8
54	660518804	MICRO SWITCH (UNIT)
55	000053008	CORD BINDER

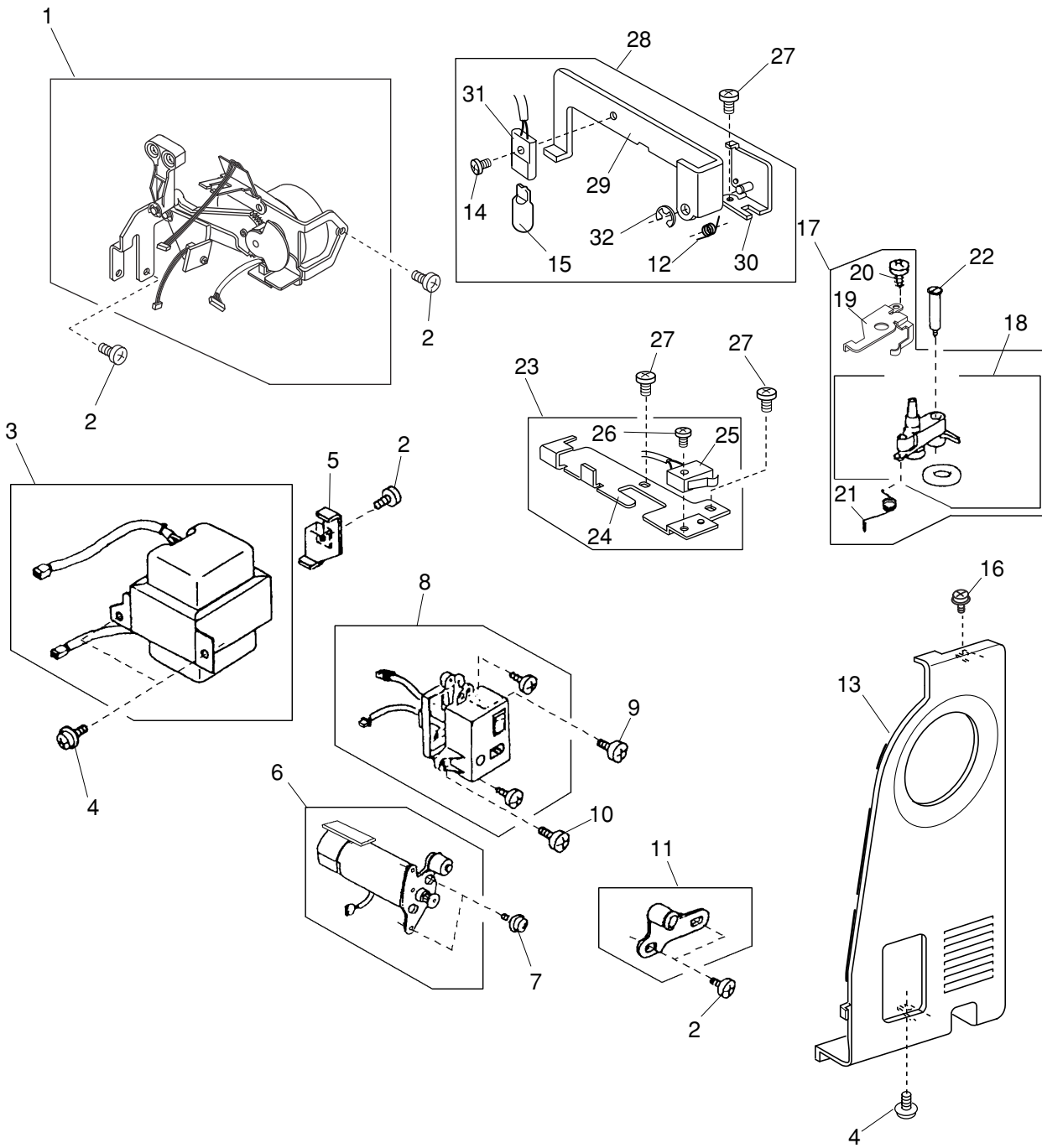
PART LIST



PART LIST

NO.	PART NUMBER	DESCRIPTION
1	827615300	FEED ROCK SHAFT (UNIT)
2	840005003	FEED DOG
3	000104005	SETSCREW 3.5 X 8
4	738055008	CENTER PIN
5	000111304	HEXAGONAL SOCKET SCREW 5 X 5
6	650085002	SPRING
7	625508008	FEED REGULATOR (UNIT)
8	000071013	WASHER
9	823111009	FELT
10	625144002	BUSHING (FRONT)
11	650175000	WASHER
12	000111201	HEXAGONAL SOCKET SCREW 4 X 4
13	820387000	RING
14	000111304	HEXAGONAL SOCKET SCREW 5 X 5
15	840603306	FEED SHAFT (UNIT)
16	827042012	FEED SHAFT
17	000160102	ADJUSTABLE LOCK NUT 4
18	825261002	FEED ADJUSTING ARM 2
19	589040002	SPRING
20	827043105	FEED ADJUSTING ARM 1
21	810207004	WASHER
22	827086100	FEED ADJUSTING ARM SCREW
23	000115906	SETSCREW TP 3 X 12
24	650092002	BUSHING (REAR)
25	827614033	HOOK RACE (UNIT)
26	820123006	HOOK RACE SHAFT
27	820124007	HOOK SHAFT OIL WICK (1)
28	820125008	HOOK SHAFT OIL WICK (2)
29	000038409	WASHER
30	650623008	HOOK BODY (UNIT)
31	627191000	HOOK BOTTOM PLATE
32	820374004	SETSCREW 2 X 2.3
33	627192001	WASHER
34	625102008	WASHER
35	827040009	COVER
36	823106002	HOOK RECE SET PLATE
37	000107204	SETSCREW 3 X 12B
38	650094004	HOOK RACE SHAFT BASE
39	000081005	SETSCREW 4 X 8
40	000070506	WASHER
41	627190010	MAGNET
42	000111304	HEXAGONAL SOCKET SCREW 5 X 5
43	000036407	WASHER

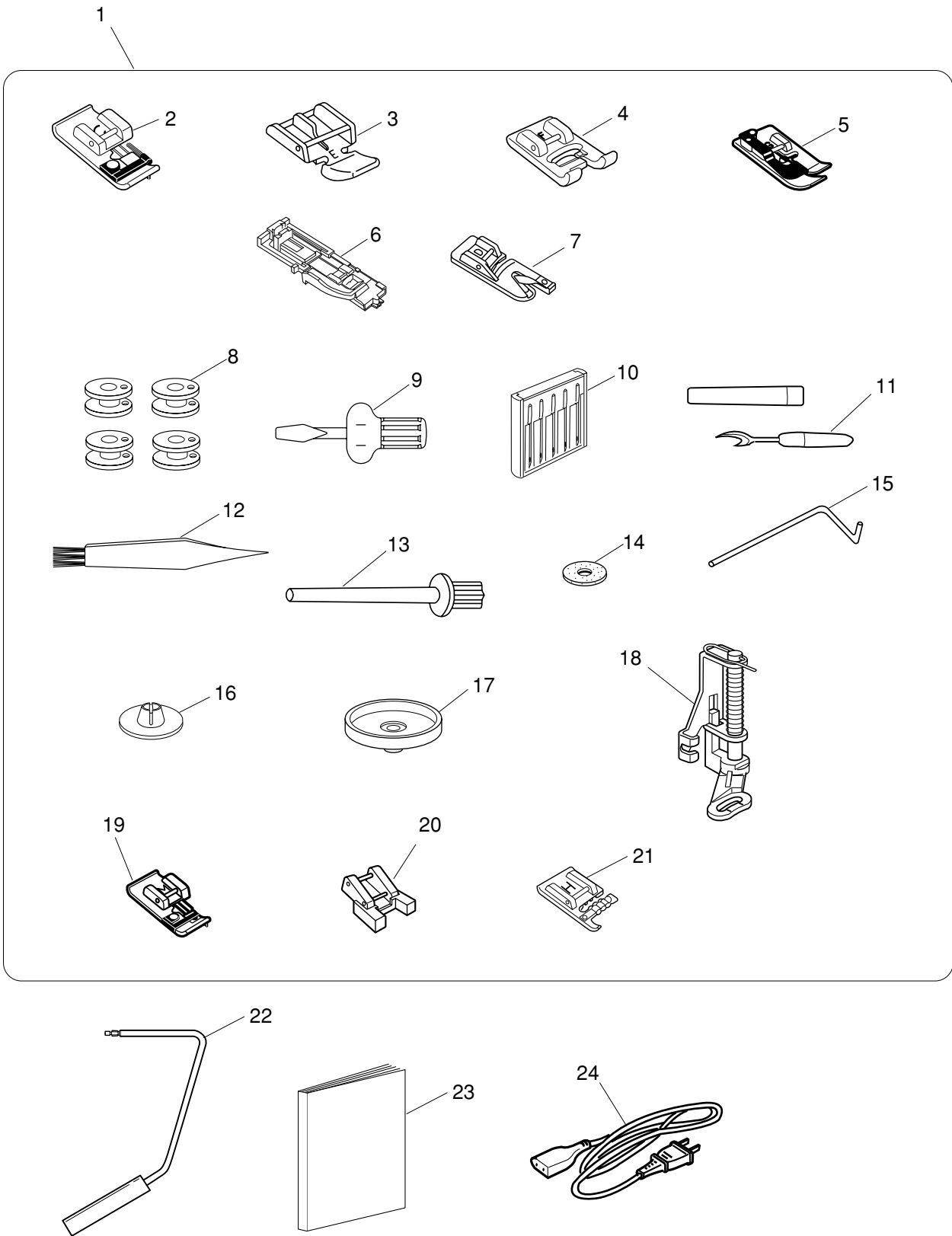
PART LIST



PART LIST

NO.	PART NUMBER	DESCRIPTION
1	844605104	ZIGZAG MOTOR (UNIT)
2	000081005	SETSCREW 4 X 8
3	846502106	TRANSFORMER (UNIT)(120V)
	846512109	TRANSFORMER (UNIT)(230V)
4	000115205	SETSCREW TP 4 X 10
5	829020009	TRANSFORMER SUPPORTER
6	843615207	MOTOR (UNIT)
7	000115700	SETSCREW TP 4 X 10
8	845503300	MACHINE SOCKET (UNIT) (120V)
	845504301	MACHINE SOCKET (UNIT) (230V)
9	000103509	SETSCREW 4 X 10
10	000101817	SETSCREW 4 X 16
11	652611009	IDLER (UNIT)
12	849056006	LAMP BASE PLATE SPRING
13	847012004	BELT COVER
14	000102900	SETSCREW 2 X 8
15	000026002	WEDGE BASE LAMP 12V 5W
16	000114709	SETSCREW TP 3 X 6
17	849616000	BOBBIN WINDER (UNIT)
18	849505005	BOBBIN WINDER (UNIT)
19	849046003	DECLUTCH ARM
20	000078319	SETSCREW 3 X 6
21	823119008	BOBBIN WINDER ARM SPRING
22	686063005	SETSCREW
23	849609000	BOBBIN WINDER SWITCH (UNIT)
24	849047004	BOBBIN WINDER SWITCH FIXING PLATE
25	660518907	MICRO SWITCH (UNIT)
26	000102900	SETSCREW 2 X 8
27	000101404	SETSCREW 4 X 6
28	849613007	ARM LAMP (UNIT)
29	849054004	ARM LAMP SETTING PLATE
30	849055005	LAMP BASE PLATE
31	843508103	LAMP SOCKET (UNIT)
32	000002105	SNAP RING E-3

PART LIST



PART LIST

NO.	PART NUMBER	DESCRIPTION
1	847870101	ACCESSORIES (UNIT)
2	822801001	OVEREDGE FOOT
3	829801002	ZIPPER FOOT
4	822804118	SATIN FOOT
5	825817009	BLIND HEM FOOT
6	753801004	AUTOMATIC BUTTONHOLE FOOT
7	820809014	HEMMER FOOT
8	102261000	BOBBIN
9	820832005	SCREWDRIVER
10	820827007	ASSORTED NEEDLE SET
11	647808009	SEAM RIPPER
12	802424004	BRUSH
13	625031500	SPOOL PIN
14	102403109	FELT
15	802422002	QUILTER
16	822019509	SPOOL HOLDER (SMALL)
17	829803004	SPOOL STAND
18	822820006	BASTING FOOT
19	822808008	OVERCAST FOOT
20	802406011	BUTTONHOLE FOOT
21	820819006	CORDING FOOT (UNIT)
22	846811008	KNEE LIFTER LEVER (UNIT)
23	847800007	INSTRUCTION BOOK
24	653524007	POWER SUPPLY CORD (USA)
	830314018	POWER SUPPLY CORD (Australia)
	830377008	POWER SUPPLY CORD (UK)
	830335004	POWER SUPPLY CORD (Continental Europe)