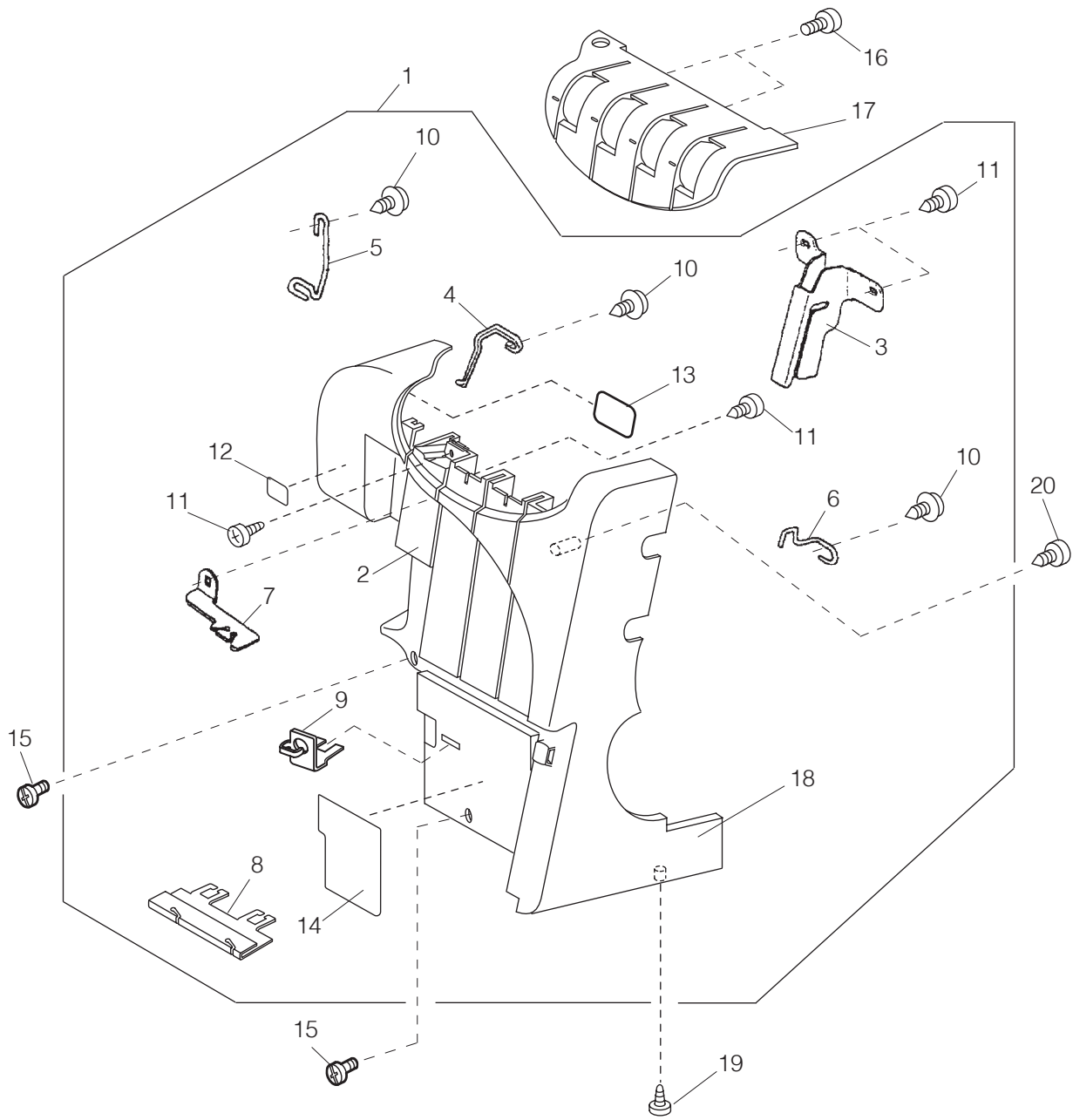


PARTS LIST

TR3000

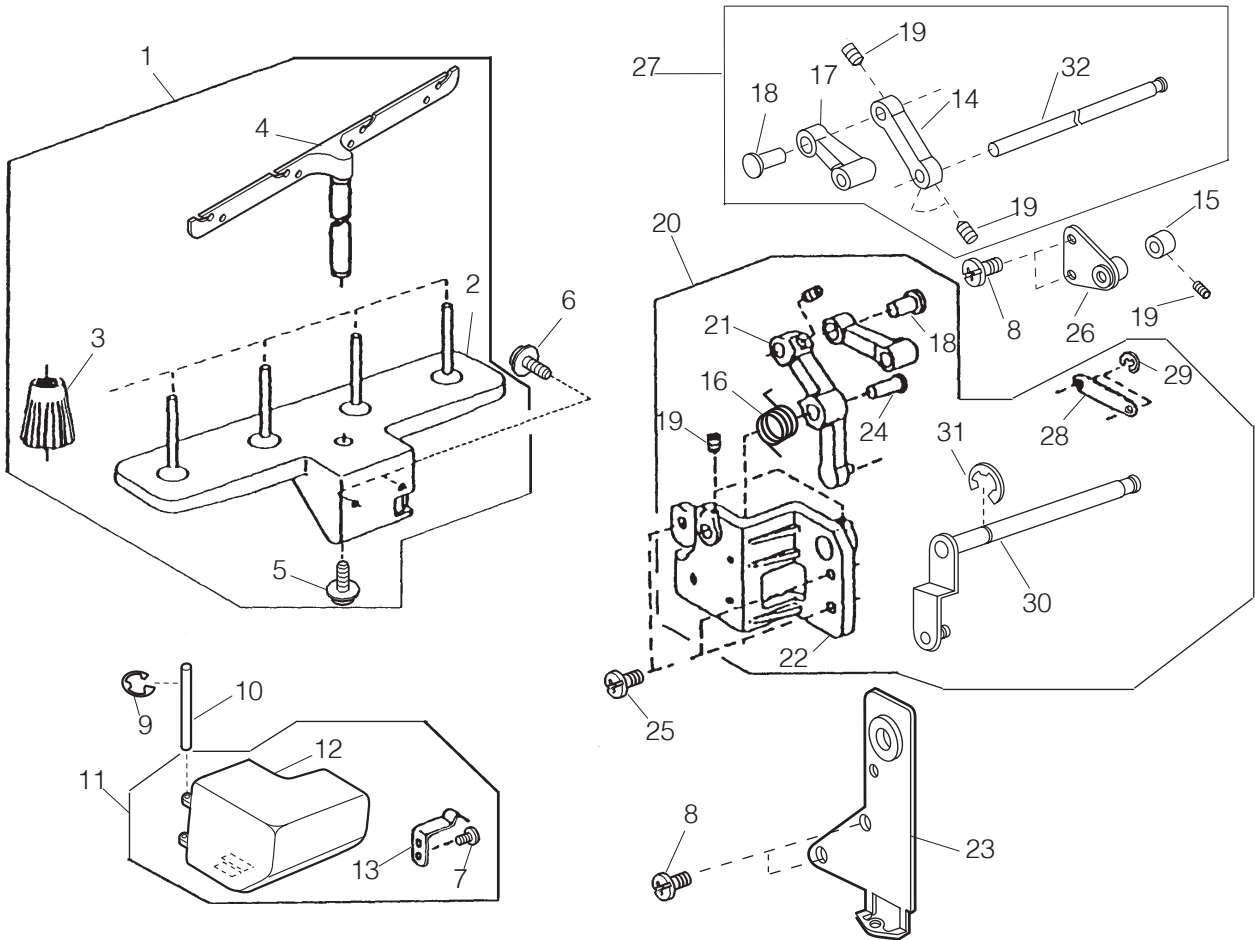
PARTS LIST



PARTS LIST

No.	Part No.	Part Name	Remark
1	793603008	Front cover unit	
2	793005004	Thread guide cover	
3	788059007	Take-up lever cover	
4	788060001	Needle thread guide (R)	
5	788115002	Needle thread guide (L)	
6	788107001	Needle thread guide	
7	788063004	Needle thread guide plate	
8	787132002	Looper thread guide	
9	787131001	Upper looper thread guide	
10	000149301	Tapping screw 3x8 (B)	
11	000120203	Tapping screw 3x8 (B)	
12	888261007	Sticker	
13	724025006	Sticker	
14	793006005	Sticker	
15	000081016	Setscrew 4x8	
16	000081005	Setscrew 4x8	
17	793007084	Top cover	
18	793004106	Front cover	
19	000198305	Tapping screw 4x10 (B)	
20	000161206	Setscrew 3x10 (B)	

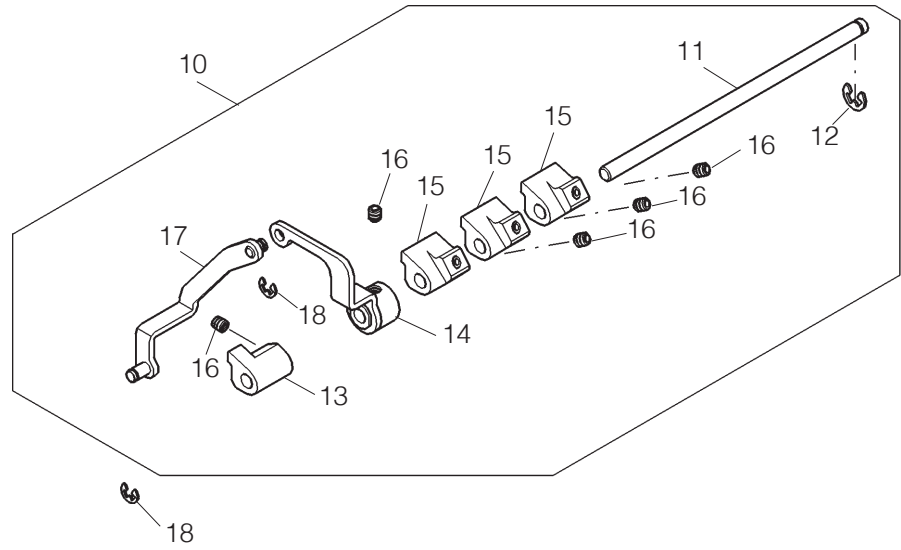
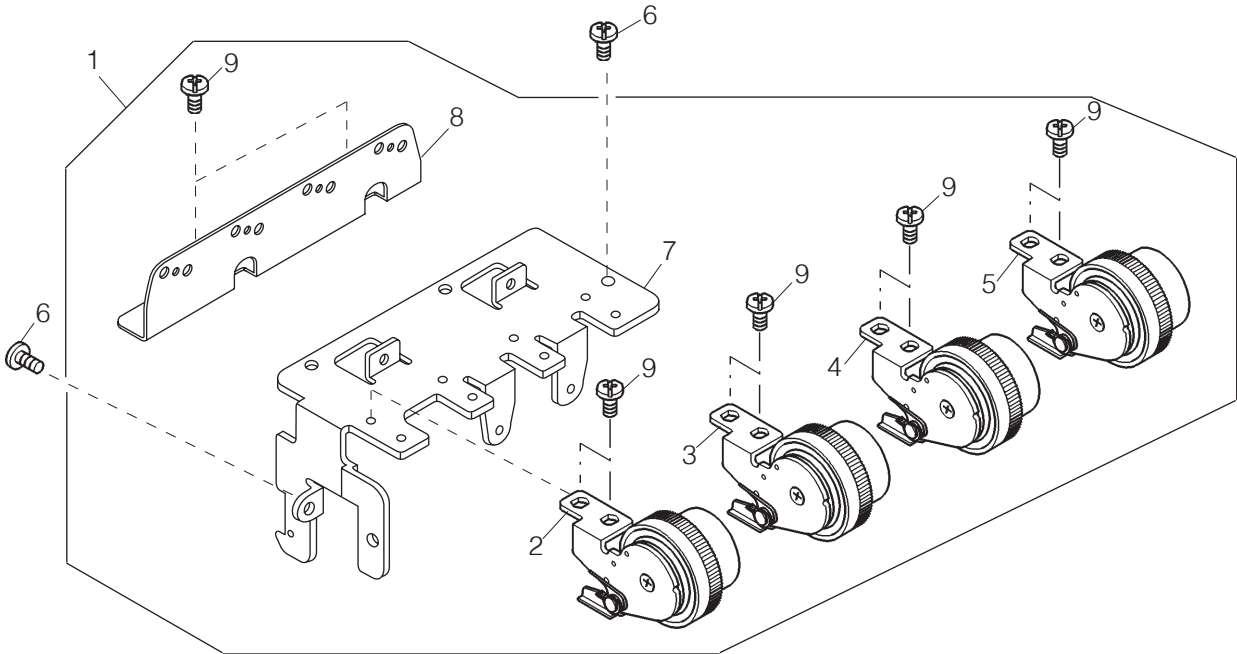
PARTS LIST



PARTS LIST

No.	Part No.	Part Name	Remark
1	789606008	Spool stand unit	
2	777011003	Spool stand	
3	784223105	Spool holder	
4	789607009	Thread guide bar unit	
5	000115700	TP screw 4x10	
6	000114802	TP screw 4x12	
7	000120203	Tapping screw 3x8 (B)	
8	000081005	Setscrew 4x8	
9	000002105	Snap ring E-3	
10	792024006	Side cover shaft	
11	792608103	Side cover unit	
12	792023005	Side cover	
13	787163002	Side cover spring	
14	787192005	Main feed con. arm 2	
15	650136019	Ring	
16	787301004	Spring	
17	787067005	Feed link	
18	787195003	Feed connecting pin	
19	000111201	H. socket screw 4x4	
20	792611006	Feed adjusting base unit	
21	787194002	Sub feed connecting arm 3	
22	787074108	Feed adjusting base	
23	792009005	Main shaft set plate (C)	
24	787195014	Connecting arm pin	
25	000103509	Setscrew 4x10	
26	787077008	Connecting arm support	
27	787637002	Main feed con. arm 2 unit	
28	787081005	Feed con. arm link	
29	000002105	Snap ring E-3	
30	792034009	Sub feed con. arm shaft	
31	000001609	Snap ring E-5	
32	787198009	Main feed con. shaft	

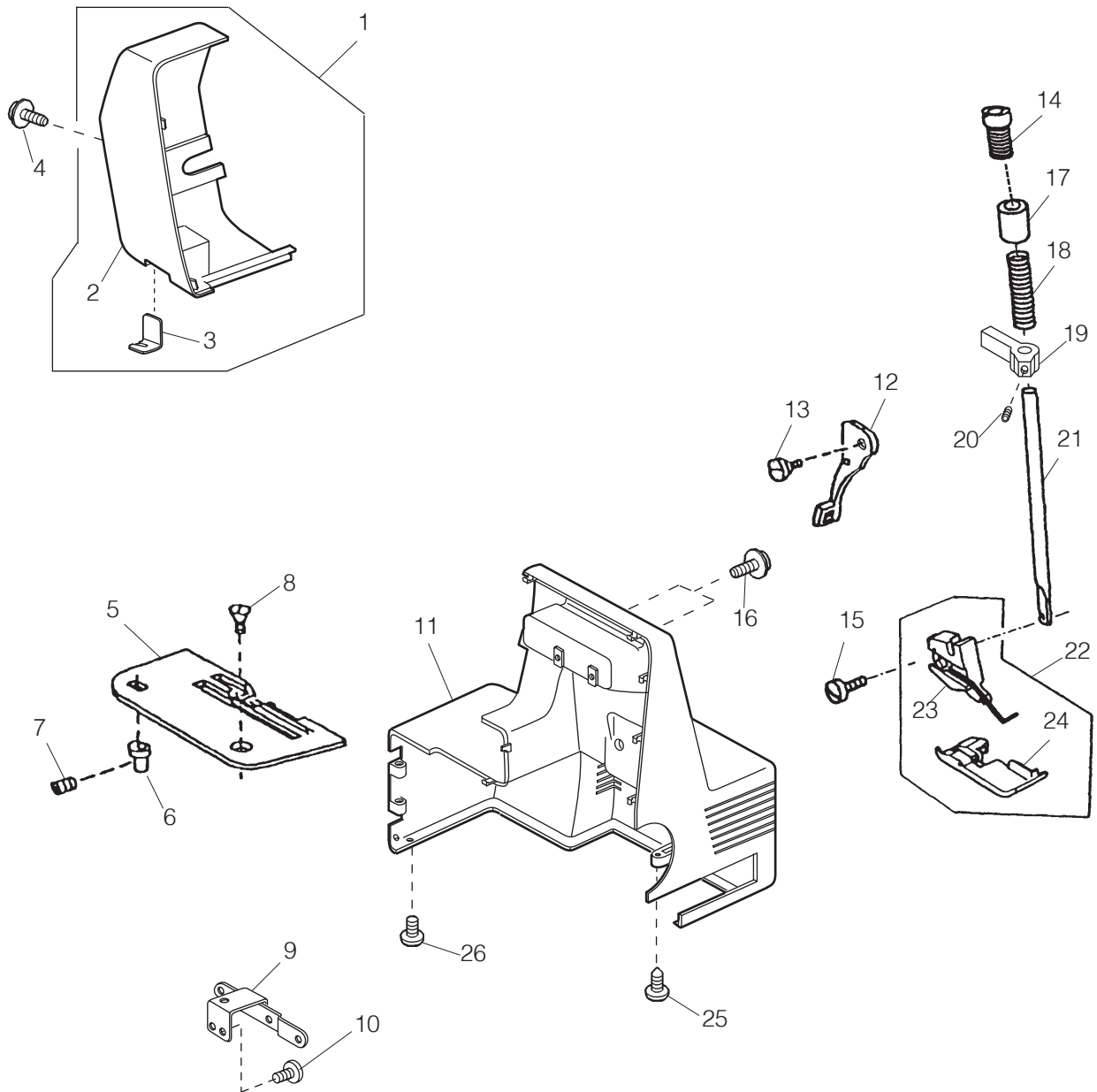
PARTS LIST



PARTS LIST

No.	Part No.	Part Name	Remark
1	7936020041	Thread tension set plate unit	
2	788503023	Left Needle thread tension unit	
3	788504024	Right Needle thread tension unit	
4	788505025	Upper looper thread tension unit	
5	788506026	Lower looper thread tension unit	
6	000081005	Setscrew 4x8	
7	793002001	Thread tension set plate	
8	793003002	Thread guide	
9	000101404	Setscrew 4x6	
10	793611009	Thread tension release shaft unit	
11	793127003	Thread tension release shaft	
12	000002507	Snap ring E-4	
13	788056004	Cam ring	
14	788055003	Thread tension release lever	
15	-----	-----	
16	000111201	H. socket screw 4x4	
17	788089006	Thread tension release link	
18	000002105	Snap ring E-3	

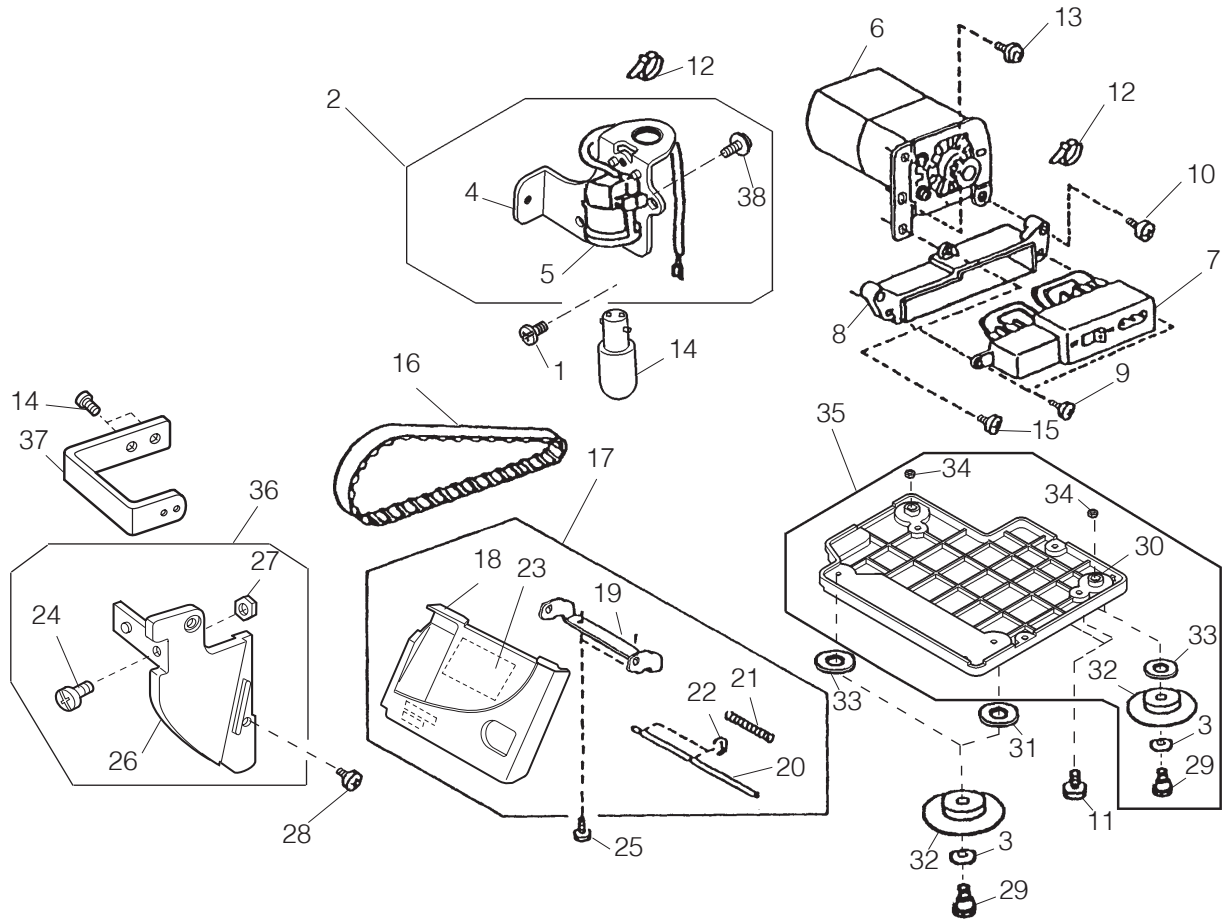
PARTS LIST



PARTS LIST

No.	Part No.	Part Name	Remark
1	793601109	Face plate unit	
2	793001000	Face plate	
3	840602006	Thread cutter unit	
4	000115700	TP screw 4x10	
5	788601000	Needle plate unit	
6	789100007	Eccentric pin	
7	000111902	H. socket screw 3x4	
8	681009101	Plain screw	
9	787294003	Back cover set plate	
10	000081005	Setscrew 4x8	
11	792022107	Back cover	
12	650032015	Presser lifter	
13	810431009	Hinge screw	
14	777013108	Presser adjusting screw	
15	660106001	Setscrew	
16	000115618	TP screw 4x8	
17	777002001	Bushing	
18	787020006	Presser bar spring	
19	789117007	Presser bar bracket	
20	000111304	H. socket screw 5x5	
21	787019002	Presser bar	
22	788501009	Presser foot unit	
23	787541008	Foot holder unit	
24	788502000	Presser foot (lower) unit	
25	000198305	Tapping screw 4x10 (B)	
26	000115607	TP screw 4x8	

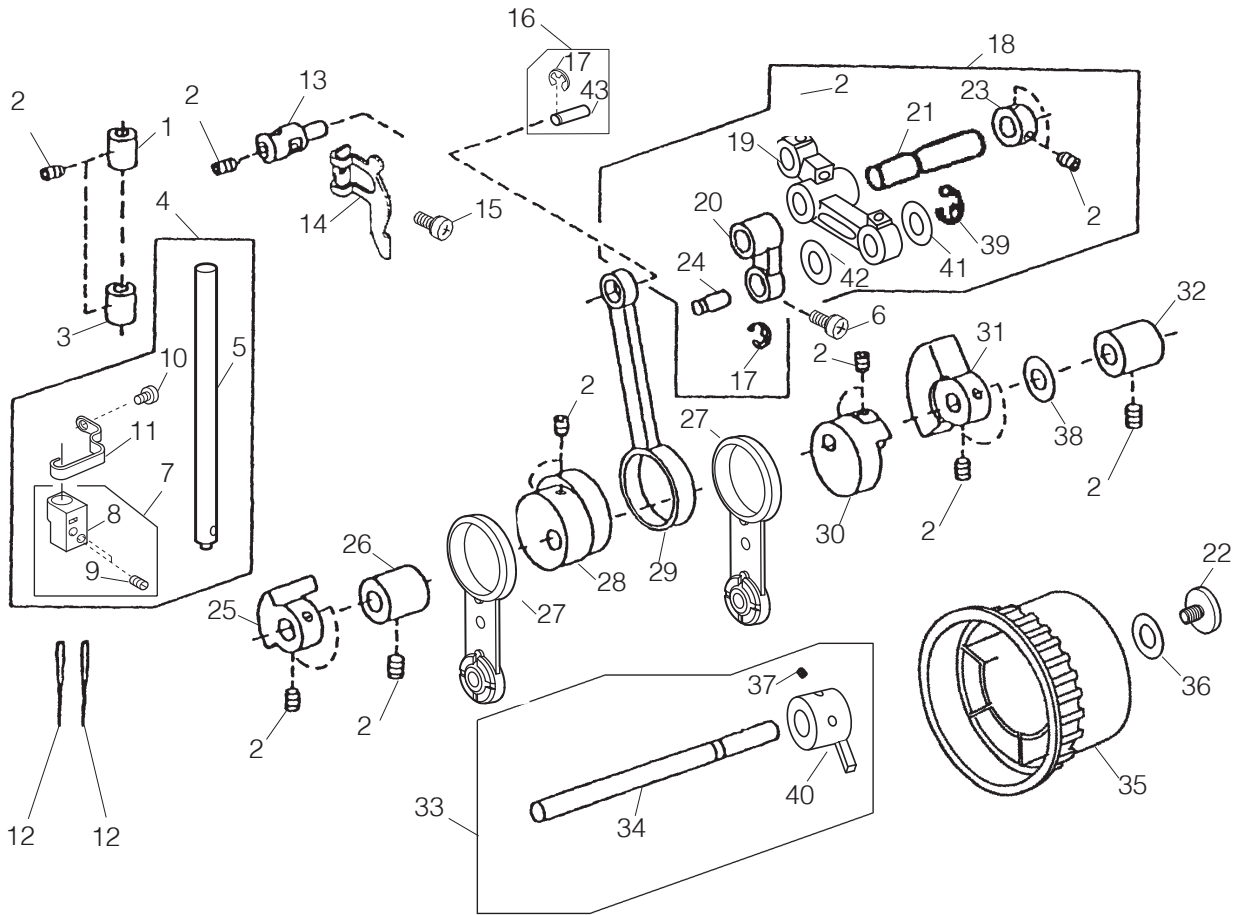
PARTS LIST



PARTS LIST

No.	Part No.	Part Name	Remark
1	000101404	Setscrew 4x6	
2	791620108	Lamp socket com. unit (220 ~ 240V)	
3	000070300	Washer	
4	789105002	Lamp socket set plate	
5	655681456	Lamp socket unit	
6	792618508	Motor unit (230V)	
7	777502109	Plug con. rec. unit (220 ~ 240V)	
8	784128028	Plug. con. receptacle cover	
9	000121905	Tapping screw 4x12 (B)	
10	000104108	Setscrew 4x20	
11	000120203	Tapping screw 3x8 (B)	
12	000053008	Binder	
13	000115504	TP screw 5x10	
14	000009009	Lamp 240V 15W BA15D (220 ~ 240V)	
15	000081005	Setscrew 4x8	
16	793125001	Timing belt	
17	793604283	Looper cover unit	
18	793008362	Looper cover	
19	793009008	Looper cover supporter	
20	792027009	Looper cover shaft	
21	792028000	Looper cover spring	
22	000002105	Snap ring E-3	
23	789028000	Sticker	
24	000103510	Setscrew 4x10	
25	000115205	TP screw 4x6	
26	792029001	Looper cover guide	
27	000062402	Nut M4	
28	000078320	Setscrew 3x6	
29	784169009	Hinge screw	
30	789034009	Base plate	
31	785260004	Washer	
32	784135006	Rubber cushion	
33	787204006	Washer (2)	
34	000061205	Nut 4	
35	789610049	Base plate unit	
36	792610005	Looper cover guide unit	
37	787153009	L. cover guide supporter	

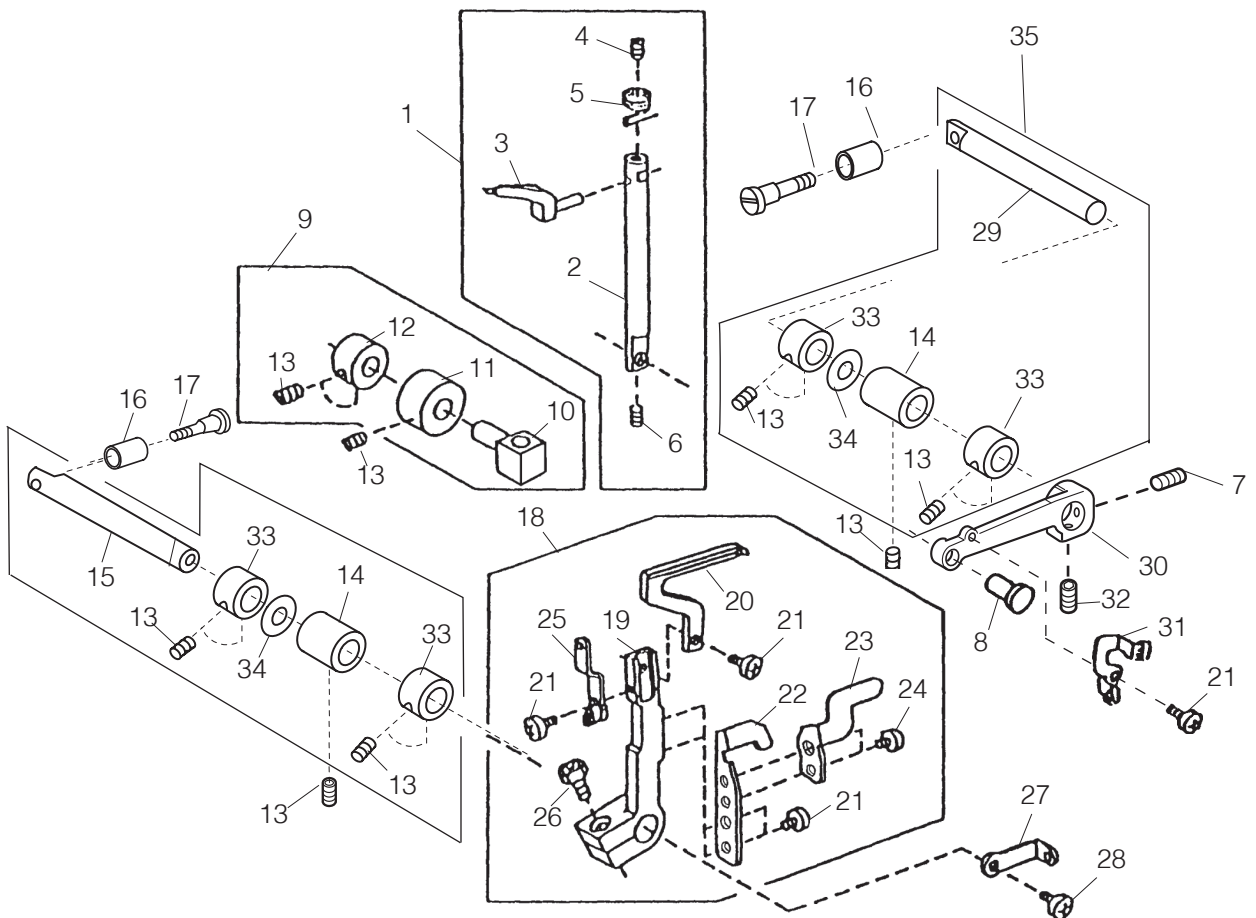
PARTS LIST



PARTS LIST

No.	Part No.	Part Name	Remark
1	784027004	Needle bar upper bushing	
2	000011201	H. socket screw 4x4	
3	784028005	Needle bar lower bushing	
4	792601003	Needle bar unit	
5	792001007	Needle bar	
6	000101703	Setscrew 4x12	
7	792501002	Needle clamp unit	
8	792002008	Needle clamp	
9	888264000	Needle clamp screw	
10	000078320	Setscrew 3x6	
11	792003009	Needle bar thread guide	
12	784157015	Needle HAx1 SP-14	
13	784024001	Needle bar bracket	
14	788004007	Take-up lever	
15	000078319	Setscrew 3x6	
16	793606001	Needle bar balancer pin	
17	000001609	Snap ring E-5	
18	789612007	Needle bar crank unit	
19	789104001	Needle bar crank	
20	789007003	Needle bar link	
21	789008004	Needle bar crank shaft	
22	618070004	Screw	
23	624245001	Ring	
24	784022009	Link pin	
25	792037002	Balance weight (left)	
26	784009000	Bushing	
27	792951001	Looper cam ring unit	
28	787007100	Needle bar cam	
29	784011005	Needle bar crank rod	
30	787004107	Upper looper cam	
31	787176101	Balance weight (right)	
32	784310007	Bushing	
33	789611109	Main shaft unit	
34	789001007	Main shaft	
35	793102002	Handwheel	
36	556047007	Washer	
37	000111304	H. socket screw 5x5	
38	000038605	Washer 10x0.5	
39	000002909	Snap ring E-7	
40	792041021	Balance ring	
41	000039905	Washer	
42	000038502	Washer	

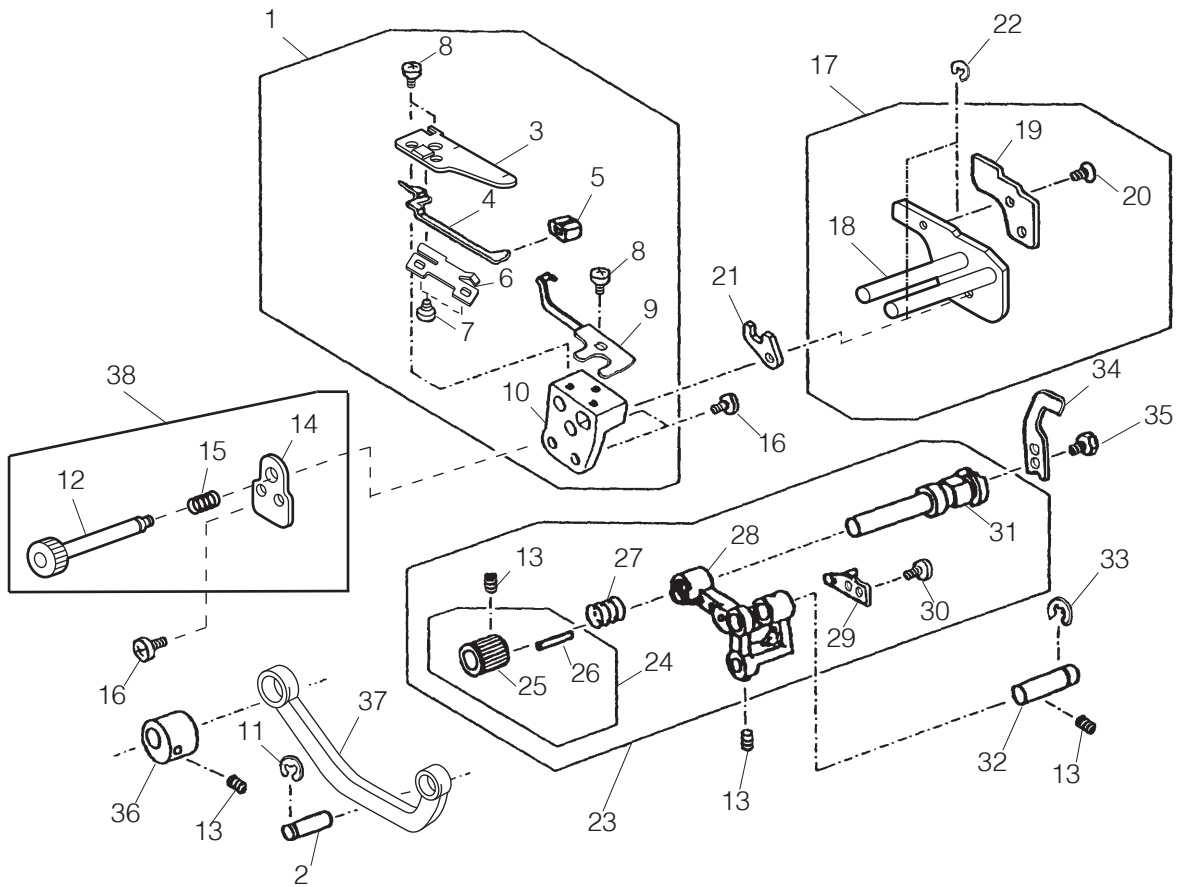
PARTS LIST



PARTS LIST

No.	Part No.	Part Name	Remark
1	792629007	Upper looper shaft unit	
2	787111005	Upper looper shaft	
3	792055006	Upper looper	
4	000112501	H. socket screw 4x4	
5	784077009	U. looper thread guide 3x6	
6	000177205	H. socket screw 3x6	
7	000111304	H. socket screw 5x5	
8	789116006	Upper looper pin	
9	792614009	U. looper shaft guide unit	
10	792038003	U. looper shaft guide	
11	792039004	Bushing	
12	792048006	Ring	
13	000111201	H. socket screw 4x4	
14	787104005	Bushing	
15	787116000	L. looper crank shaft	
16	787107101	Crank spacer	
17	787108009	Crank setscrew	
18	792627027	Lower looper unit	
19	785024004	L. looper base (2)	
20	792056007	Lower looper	
21	000078320	Setscrew 3x6	
22	787383000	Rear needle guard	
23	785023003	Front needle guard	
24	000099006	H. socket screw 3x4	
25	784085206	L. looper thread guide (3)	
26	000138008	H. socket screw 4x16	
27	785010203	L. looper thread guide	
28	000103004	Setscrew 3.5x6	
29	787105006	U. looper crank shaft	
30	789112002	U. looper waving arm	
31	788038000	Looper thread guide (L2)	
32	000110107	H. socket screw 5x5	
33	792048006	Ring	
34	000038502	Washer	
35	792630001	U. looper crank shaft unit	
36	792631002	L. looper crank shaft unit	

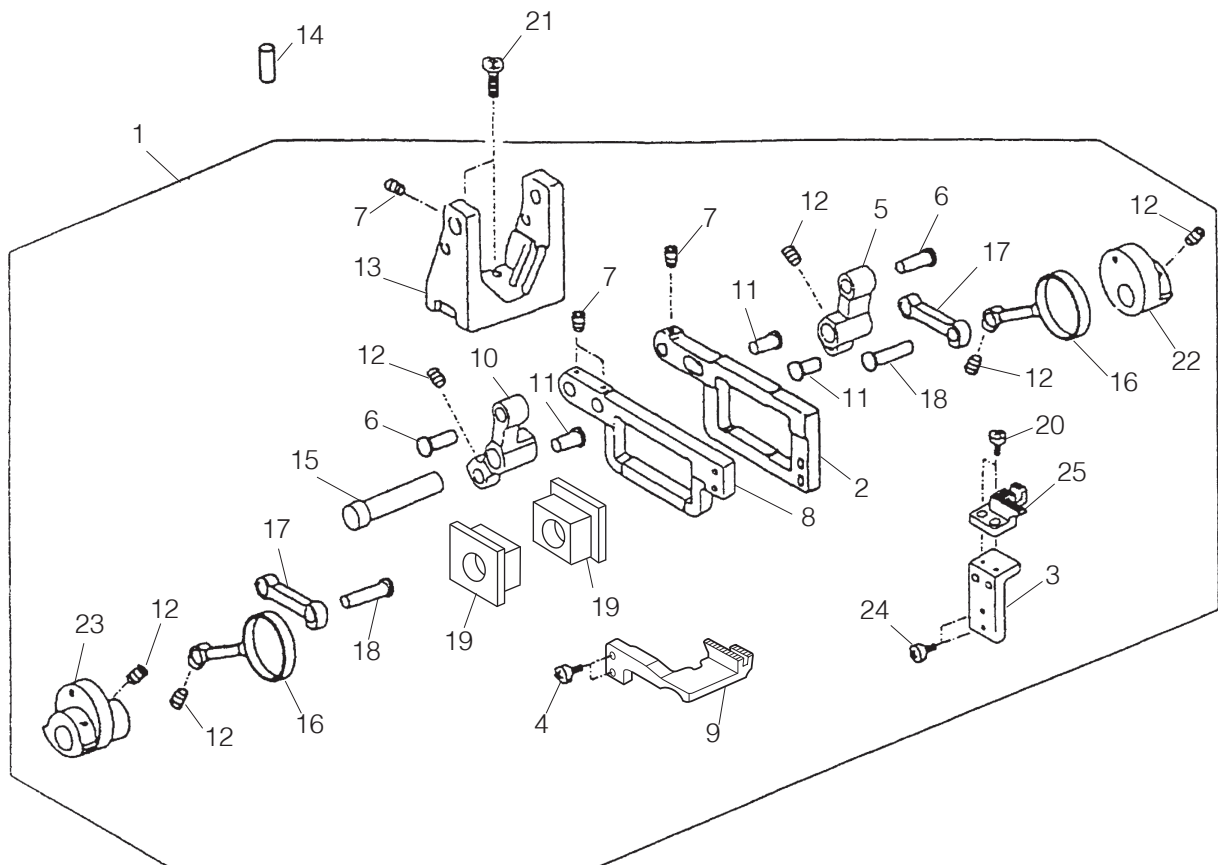
PARTS LIST



PARTS LIST

No.	Part No.	Part Name	Remark
1	792613008	Chaining finger bracket unit	
2	787012005	Pin	
3	789106003	Chaining finger set plate	
4	788017003	Chaining finger	
5	787041003	Needle plate setting knob	
6	788018004	Chaining finger spring	
7	000074603	Setscrew 2x4	
8	000078320	Setscrew 3x6	
9	788019005	Fixed needle guard	
10	788015001	Chaining finger bracket	
11	000001609	Snap ring E-5	
12	792007003	Lower knife guide shaft	
13	000111201	H. socket screw 4x4	
14	787046008	Guide plate	
15	787048000	Spring	
16	000081005	Setscrew 4x8	
17	792603005	Lower knife unit	
18	792005001	Lower knife set plate	
19	788013009	Lower knife	
20	000102221	Setscrew 4x6	
21	788021000	Nut	
22	000001207	Snap ring E-2.5	
23	787635000	Upper knife drive arm unit	
24	784607- - -	Upper knife knob unit	
25	784044007	Upper knife knob	
26	000003601	Spring pin 2x14	
27	784043006	Spring	
28	787033002	Upper knife drive arm	
29	784041004	Upper knife guide	
30	810220003	Setscrew 4x6.5	
31	784042005	Upper knife supporter	
32	787022008	Pin	
33	000002909	Snap ring E-7	
34	788127007	Upper knife	
35	624303008	H. bolt 4x6	
36	788008001	Upper knife drive cam	
37	789009005	Upper knife connecting rod	
38	792622000	Lower knife guide shaft unit	

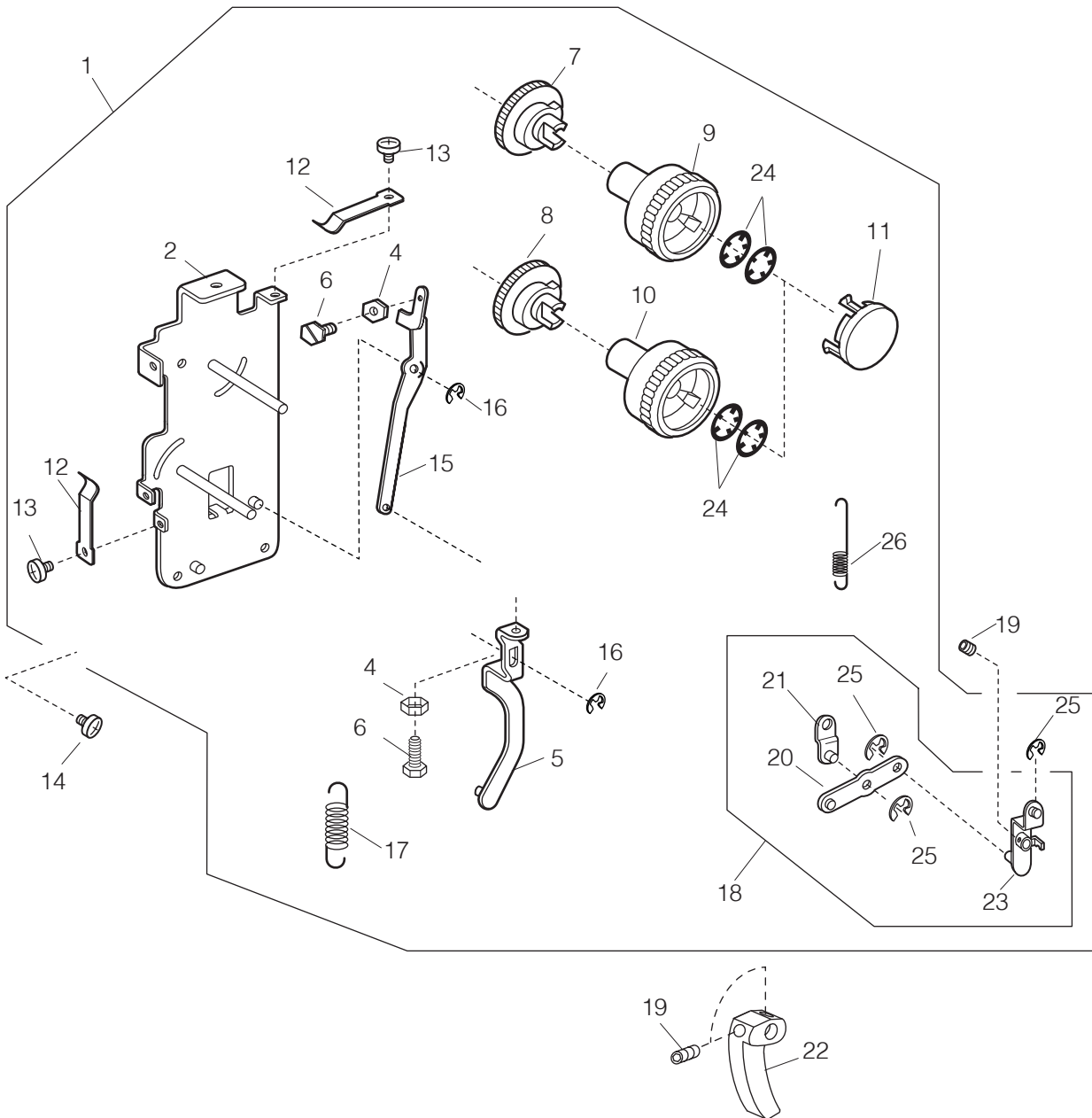
PARTS LIST



PARTS LIST

No.	Part No.	Part Name	Remark
1	792604006	Feed bar unit	
2	788022001	Main feed bar	
3	788023002	Main feed dog bracket	
4	000104201	Setscrew 3.5x10	
5	787054009	Main feed bar drive arm	
6	787055000	Pin	
7	000111902	H. socket screw 3x4	
8	788024003	Sub feed bar	
9	789018007	Sub feed dog	
10	787212007	Sub feed drive arm	
11	787059004	Pin	
12	000111201	H. socket screw 4x4	
13	787305008	Feed bar base	
14	000005304	Pin	
15	787306009	Feed driving arm pin	
16	787065003	Feed bar link	
17	787066004	Feed rocking link	
18	787068006	Pin	
19	792008004	Block	
20	000066705	Setscrew 3x8	
21	000201405	Setscrew 4x16	
22	787072003	Main feed drive cam	
23	787073004	Sub feed drive cam	
24	000068811	Setscrew 3.5x10	
25	788027006	Main feed dog	

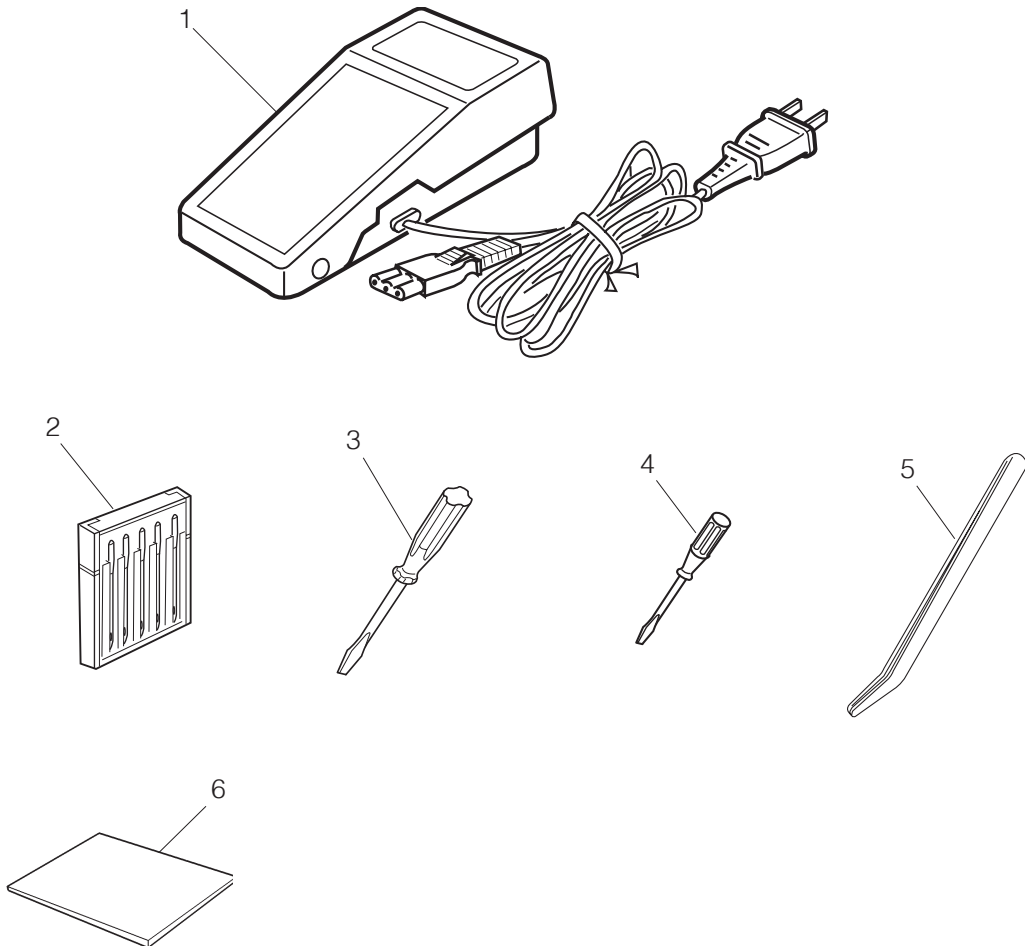
PARTS LIST



PARTS LIST

No.	Part No.	Part Name	Remark
1	792606606	Feed adjuster unit	
2	792012001	Set plate	
3	792010009	M.feed con.arm shaft	
4	000160102	Adjustable nut	
5	792014003	Differential rod	
6	785224006	Adjustable screw	
7	792015004	S. length adj. cam	
8	788036008	Dif. adj. cam	
9	792016348	S. length dial	
10	792016359	Dif. dial	
11	787262301	Dial cap	
12	787263003	Spring	
13	000081119	Setscrew 4x6	
14	000081005	Setscrew 4x8	
15	792013002	Feed rod	
16	000001609	Snap ring E-5	
17	787259006	Spring	
18	792605007	Main feed con. arm unit	
19	000111201	H. socket screw 4x4	
20	787266006	Feed con. plate	
21	788031003	Dif. transfer arm	
22	788032107	Sub feed con. arm	
23	792040008	Main feed con. arm	
24	000013800	Snap ring CS-3	
25	000002105	Snap ring E-3	
26	792011000	Spring	

Standard Accessories



Standard Accessories

No.	Part No.	Part Name	Remark
1	C - 2060	Speed controller	
2	784860100	Needle set	
3	784810002	Screwdriver (large)	
4	792030005	Screwdriver (small)	
5	624801001	Tweezer	
6	793800247	Instruction book	